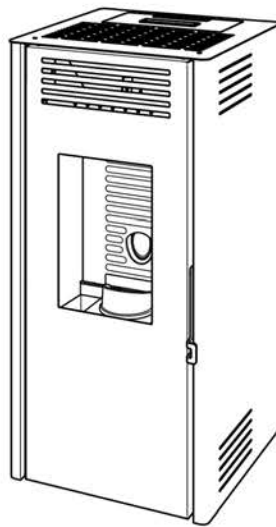


INVICTA

CE

EN

DIRECTIONS FOR INSTALLATION USE AND MAINTENANCE



TRATTO 9 PLUS

ENVIRONMENT-FRIENDLY PELLET STOVE
WITH FAN-ASSISTED HOT AIR

**THESE INSTRUCTIONS ARE INTEGRAL PART OF THE PRODUCT
PLEASE READ CAREFULLY AND SAVE FOR FUTURE REFERENCE**

Serial number

Foreword

- **Congratulations on your purchase of a INVICTA product, one of the best available on the market!**
- Before installing and operating your appliance, read this instruction manual carefully and save it for future reference.
- For any installation, electrical connection, inspection, maintenance or repair works, refer to authorized, qualified or experienced technicians only.
- It is recommended that the first-time lighting of your appliance should be done by the appliance installer who may check and ensure proper appliance operation and draught.



In order for the appliance to work well without the accumulation of pellet, you are advised to pre-set correctly the combustion parameters for pellet loading (see section 3.3.5 - Menu M8) and to carry out accurate daily cleaning of the burner (see section 4.1.3).

- This appliance can be used by children aged 8 years or older and by people with reduced physical, sensory or mental capabilities or without experience or knowledge, if adequately supervised or if instructions relating to the use of the appliance in complete safety have been delivered to them and whether the associated risks have been perceived.



WARNING: All cleaning of the various parts must be done when the appliance is completely cold and disconnected from the electrical power source. Cleaning and maintenance operations to be carried out by the user cannot be done by unattended children.

- Never let your appliance unattended in the presence of children. Do not let the children touch any hot surface areas of the appliance nor let them operate it.



Overpressure in the combustion chamber preceded by a significant and anomalous presence of smoke without flames is the most serious problem to be monitored closely because it can lead to rupture of the glass or cause the appliance door to burst open with the consequent release of smoke into the room. (Refer also to heading 1.5.2).



If the appliance repeatedly fails to light or in the presence of repeated anomalous generation of copious amounts of smoke with no flame in the combustion chamber, stop using the appliance immediately and have both appliance and flue checked by an authorised technician.

- For any further information or requests always contact an authorized dealer who will be pleased to assist you.

Symbols used in this manual

In the present instruction manual some indications are pointed out by the following symbols:



Safety precautions.



Prohibited operation.



Important information.

INVICTA (hereinafter referred to as the "MANUFACTURER" assumes no responsibility for any incidental or consequential damage to people, things or pets resulting from the inobservance of the prescriptions given in this manual, particularly of those marked with following symbols.



SUMMARY	4
1 GENERAL INFORMATION	4
1.1 Warranty	4
1.1.1 Warranty conditions	4
1.1.2 CE label and product serial number	8
1.1.3 Remarks on materials	9
1.1.4 null	9
1.2 Certifications	10
1.2.1 Ecodesign 2022	10
1.2.2 Further certifications	11
1.3 Technical dimensions and features	11
1.3.1 Technical drawings stove	11
1.3.2 Technical features	12
1.3.3 Safety clearances from combustible materials	13
1.4 Pellet fuel	14
1.5 Recommendations	15
1.5.1 Safety precautions	15
1.5.2 Warnings for the management of anomalies in the combustion chamber	16
1.5.3 General recommendations	16
1.5.4 End-of-life disposal of appliance components	17
1.6 Safety requirements and devices	19
1.7 Environment requirements	20
1.8 Equipment	21
1.9 Functioning principle	22
2 INSTALLATION	23
2.1 Packaging dismantling and disposal	23
2.2 Installation requirements	23
2.3 Appliance installation	23
2.3.1 Appliance Positioning	23
2.3.2 Outside air intake	24
2.3.3 Flue gases venting into a traditional chimney	25
2.3.4 Smoke outlet into exterior vertical vent (stainless steel lined type)	26
2.3.5 Electrical connection	26
2.3.6 Positioning the room temperature sensor	26
2.3.7 Disassembling the cladding	27
3 OPERATION	28
3.1 Pre- and first-lighting instructions	28
3.2 Pellet loading	28
3.3 Control panel	29
3.3.1 Starting your appliance	29
3.3.2 Switching off	31
3.3.3 Setting maximum operating power	31
3.3.4 Setting ambient temperature	31
3.3.5 Menù	33
3.3.6 Alarm warnings	38

3.3.7 SERVICE signal	40
4 CARE AND MAINTENANCE	41
4.1 Recurrent maintenance	41
4.1.1 Cleaning of display screen and exterior cladding elements	41
4.1.2 Cleaning of ceramic glass	41
4.1.3 Recurrent maintenance of type A	42
4.2 Routine maintenance	44
4.2.1 Routine maintenance of type B	44
4.2.2 Routine maintenance of type C	46
4.2.3 Gasket control	46
4.2.4 Cleaning of vertical venting pipes	46
4.3 Putting your appliance out of service	47
4.4 Failures/ Causes / Trouble-shooting	47
4.4.1 Replacement of fuse in service	48
5 FOR THE AUTHORIZED SERVICE TECHNICIAN	49
5.1 Wiring-diagram	49
5.2 Connection to a thermostat or to a switch	49
5.3 Spare parts list	51
5.4 Servicing record	51

1 GENERAL INFORMATION

1.1 Warranty

1.1.1 Warranty conditions

The marketed Products comply with regulations applicable in France and their performances are compatible with non-professional uses.

Non-professional consumer Customers (hereinafter "Consumers") automatically benefit from the legal guarantee of conformity and the legal guarantee against hidden defects free of charge.

In addition, and independently of the legal guarantees, they benefit from a commercial guarantee.

A. Legal guarantees

A.1 Legal guarantee of conformity

INVICTA GROUP undertakes to deliver the Consumer goods that comply with the contractual description and the criteria set out in Article L217-5 of the French Consumer Code.

It is liable for non-conformities existing at the time the Products are delivered and which appear within two years of the delivery.

This guarantee period applies without prejudice to Articles 2224 et seq. of the French Civil Code, with the prescription period starting to run on the day the Consumer becomes aware of the non-conformity.

Non-conformities which appear within a period of twenty-four months from the delivery of the Products are, unless proven otherwise, considered to have existed at the time of delivery.

If a non-conformity is found, Consumers may demand that the delivered Products be made compliant by repair or replacement, failing which the price can be reduced or the sale be cancelled in accordance with the legal conditions.

They may also suspend the payment of all or part of the price or the remittance of the benefit provided for in the contract until INVICTA GROUP has met its obligations under the legal guarantee of conformity under articles 1219 and 1220 of the French Civil Code.

It is up to the Consumer to request the upgrade to conformity from INVICTA GROUP by choosing between repair and replacement. The goods must be brought into conformity within a period not exceeding thirty days following the Consumer's request.

Proof of purchase of the Product (invoice, detailed sales receipt) and photos of the product will be required for the processing of any claim.

The repair or replacement of the non-compliant Product includes, where applicable, the removal and return of the Product and the installation of the repaired or replaced Product.

Any Product brought into conformity as part of the legal guarantee of conformity benefits from a six-month extension of this guarantee.

If the non-compliant Product has been replaced because, despite the Consumer's choice, INVICTA GROUP has not brought the Product into conformity, the replacement will reinitialise the legal guarantee of conformity period starting from the delivery of the replaced Product.

If the requested upgrade to compliance is impossible or entails disproportionate costs under the conditions provided for in Article L 217-12 of the French Consumer Code, INVICTA GROUP may refuse it. If the conditions provided for in article L 217-12 of the French Consumer Code are not met, the Consumer may, after formal notice, pursue the forced execution in kind of the solution initially requested in accordance with articles 1221 et seq. of the French Civil Code.

Finally, the Consumer may demand a price reduction or the cancellation of the sale (unless the non-conformity is minor) in the cases provided for by Article L 217-14 of the French Consumer Code.

When the non-conformity is so serious that it justifies a reduction in price or the immediate cancellation of the sale, the Consumer is not required to request the repair or replacement of the non-compliant Product first.

The price reduction is proportional to the difference between the value of the delivered Product and the value of the Product without the non-conformity.

If the sale is cancelled, the Consumer will be refunded the price paid after the return of the non-compliant Products to INVICTA GROUP, at the latter's expense.

The refund is made on receipt of the non-compliant Product or proof of its shipment by the Consumer and at the latest within the following fourteen days by means of the same payment method as the one used by the Consumer at the time of payment, unless the latter expressly agrees otherwise and in any case without any additional costs.

The above mentioned provisions are without prejudice to the possible award of damages to the Consumer for the loss suffered by the latter as a result of the non-conformity.

A.2 Legal guarantee against hidden defects

INVICTA GROUP is liable to the Consumer for hidden defects as part of the legal guarantee against hidden defects resulting from a material, design or manufacturing defect impacting the delivered products and rendering them unfit for purpose. The Consumer may decide to implement the guarantee against hidden defects for the Products in accordance with Article 1641 of the French Civil Code; in that case, they may choose between the cancellation of the sale or a reduction of the sale price in accordance with Article 1644 of the French Civil Code.

A.3 Exclusion of legal guarantees

INVICTA GROUP cannot be held liable in the following cases:

- Non-compliance with the legislation of the country in which the Products are delivered, which it is the Consumer's responsibility to check before placing the order,
- Misuse, professional use, negligence or lack of maintenance by the Consumer, as well as in case of normal wear and tear of the Product, accident or force majeure.

B. Commercial guarantee applicable to Consumers

In addition to the aforementioned legal guarantee of conformity and against hidden defects, INVICTA GROUP offers a commercial guarantee reserved for Consumers (excluding all professional Clients) (hereinafter the "Commercial Guarantee"), subject to full payment of the invoice corresponding to the Product by the aforementioned Consumer, under the conditions and according to the durations described below.

In accordance with Article D.217-3 of the French Consumer Code, the insert attached to Article D.211-2 of the French Consumer Code is reproduced below, restating the main provisions of the legal guarantee of conformity:

The consumer has two years from the delivery of the goods to obtain the implementation of the legal guarantee of conformity if a non-conformity appears. During that period, the consumer is only required to prove the existence of the non-conformity and not the date it appeared.

When the contract for the sale of the goods provides for the supply of digital content or a digital service on a continuous basis for a period of more than two years, the legal guarantee applies to that digital content or digital service throughout the planned period of supply. During that period, the consumer is only required to prove the existence of the non-conformity of the digital content or service and not the date of its appearance.

The legal guarantee of conformity entails an obligation on the part of the professional, where applicable, to provide any updates needed to maintain the conformity of the goods.

The legal guarantee of conformity gives consumers the right to the repair or replacement of the goods within thirty days of their request, free of charge and without any major inconvenience to them.

If the goods are repaired under the legal guarantee of conformity, the consumer benefits from a six-month extension of the initial guarantee.

If the consumer requests the goods to be repaired but the vendor imposes replacement, the legal guarantee of conformity is renewed for a period of two years from the date the goods are replaced.

The consumer may obtain a reduction in the purchase price by keeping the goods or terminate the contract and obtain a full refund against the return of the goods, if:

1° The professional refuses to repair or replace the goods;

2° The repair or replacement of the good occurs after a period of thirty days;

3° The repair or replacement of the goods causes major inconvenience to the consumer, in particular where the consumer definitively bears the cost of the return or removal of the non-compliant goods, or if they bear the cost of installing the repaired or replaced goods;

4° The non-conformity of the goods persists despite the vendor's unsuccessful attempt to bring it to conformity.

The consumer is also entitled to a reduction in the price of the goods or to the termination of the contract when the non-conformity is so serious as to justify the immediate reduction in price or termination of the contract. The consumer is then not required to request the repair or replacement of the goods beforehand.

The consumer is not entitled to cancel the sale if the non-conformity is minor.

Any period of immobilisation of the goods for the purpose of repair or replacement suspends the guarantee that was still running until the delivery of the repaired goods.

The rights mentioned above result from the application of Articles L. 217-1 to L. 217-32 of the French Consumer Code.

A vendor who obstructs the implementation of the legal guarantee of conformity in bad faith is liable to a civil fine of up to EUR 300,000, which may be increased to 10% of the average annual turnover (Article L. 241-5 of the French Consumer Code).

The consumer also benefits from the legal guarantee against hidden defects under articles 1641 to 1649 of the French Civil Code for a period of two years from the discovery of the defect. This guarantee gives the right to a price reduction if the goods are kept or to a full refund in return for the return of the goods.

B.1 Territoriality

The Commercial Guarantee applies in all countries in which the Products are sold by INVICTA GROUP.

B.2 Content and duration

The Commercial Guarantee only applies to the following Products, excluding all others.

Heating appliances

At the end of the twenty-four (24) month period mentioned in article A.1 above, the heating elements (non-removable parts) are

guaranteed to Consumers, depending on the type of heating appliance they have purchased and according to the following periods:

- For the heating elements of wood burning stoves, fireplaces, inserts and ranges:

The Commercial Guarantee for these products will have a maximum duration of three (3) years, which will begin at the end of the twenty-four (24) month period mentioned in article A.1 above. In all cases, the Commercial Guarantee for these products will end on the fifth anniversary of the purchase of the product by the Consumer.

- For the heating elements of pellet stoves, fireplaces and inserts:

The Commercial Guarantee will only apply if the Products have been installed in a compliant manner and subject to verification of such compliance by the network of INVICTA GROUP authorised technical stations within 3 months of purchase. The Commercial Guarantee for these products will have a maximum duration of one (1) year, which will begin at the end of the twenty-four (24) month period mentioned in article A.1 above. In all cases, the Commercial Guarantee on these products will end on the third anniversary of the purchase of the product by the Consumer.

The Commercial Guarantee is limited to the free replacement of recognised defective parts after inspection by INVICTA GROUP. If the replacement of these parts proves too expensive, INVICTA GROUP may decide to replace the Product. Under no circumstances may INVICTA GROUP be the subject of a claim for damages, under any name or form whatsoever.

The costs of travel, transport, labour, packaging, dismantling and the consequences of immobilisation of the equipment resulting from guarantee operations, are borne by the Consumer.

The following heating appliance components are expressly excluded from the Commercial Guarantee:

- External removable parts,
- Normal wear and tear of the Product such as, for example, a change in appearance (colour, gloss) or corrosion, as well as of the steel of cast iron moving or fixed internal parts of the Product,
- The consequences of improper maintenance or lack of maintenance of the Product, an accident, negligence or error in handling the Product and, more generally, failure to comply with instructions for use and maintenance and, in particular, maintenance by qualified personnel,
- Since the glass withstands a temperature of 750°C and the temperatures in the combustion chamber never reach this temperature, there can be no breakage of the glazing due to overheating. As a result, glass breakage due to improper handling during use or handling of the appliance is not covered by the Commercial Guarantee,
- Seals for any heating appliance, crucibles for pellet stoves and spark plugs for pellet stoves and gas heaters are considered to be wear parts,
- As the fuel used and the operation of the appliance are beyond the manufacturer's control,
- The parts of the fireplace in direct or indirect contact with the igniting fuel, such as:
 - Decorative plates, fire grates, deflectors, hearth log protections, inserts, wood stoves and hydros marketed under the INVICTA or DEVILLE brands,
 - Decorative plates and deflectors for pellet stoves marketed under the INVICTA, or DEVILLE brands,
 - Diffuser tubes, wicks, igniters, cast iron rings for stoves marketed under the INVICTA, or DEVILLE brand names,
 - Refractory bricks, fire grates, deflectors for wood burning ranges marketed under the INVICTA, or DEVILLE brand names,
 - Decorative plates and deflectors for gas heating appliances marketed under the INVICTA, or DEVILLE brands.
- The electrical parts (extractor, fan, electronic board) of pellet stoves marketed under the INVICTA or DEVILLE brands are only covered by the Legal Guarantee.
- The other components, such as:
 - Latches, screws, fans, printed circuits, switches, terminals, electric wires, fireplace electric ducts, inserts, wood stoves marketed under the INVICTA or DEVILLE brands,
 - Latches, screws, decorative plates, deflectors for pellet stoves marketed under the INVICTA or DEVILLE brands,
 - Handles, screws, bricks, thermometers for wood burning ranges marketed under the INVICTA, or DEVILLE brand names.

The following are also excluded from the Commercial Guarantee:

- Any damage caused by mechanical or electrical components that are not supplied by the manufacturer of the Product and/or are prohibited by laws governing heating appliances.
- Damage caused by any use other than that intended for the Product concerned, in particular the use of any unauthorised fuels.

The Commercial Guarantee applies to any defect in material or manufacturing, subject to the non-professional, reasonable use of the appliance in accordance with the operating instructions provided with the appliance and any applicable regulations.

INVICTA GROUP is released from any obligation relating to the Commercial Guarantee in the event of Product installations that are not compliant with any legal, regulatory and/or administrative requirements and trade practices, or if the Product is altered.

The Commercial Guarantee does not cover any damage, whether total or partial, direct or indirect, caused by use that does not comply with the instructions for use and/or maintenance, is abnormal, negligent or incorrect, or results from a cause unrelated to the intrinsic qualities of the Product.

This Commercial Guarantee is excluded for professional use of the Product.

Proof of Product purchase (invoice, detailed sales receipt) and photos will be requested for the processing of any claims under the Legal Guarantee or the above mentioned contractual guarantee.

The Contractual Guarantee is only valid if the appliance has been installed at the address indicated on the guarantee certificate provided with the appliance and if the purchaser has registered the Product on the www.invicta.fr website or by calling the toll-free number 0.809.10.00.13 within 3 months of the purchase, it being specified that in all cases, the Consumer is required to

provide proof of purchase of the Product for the implementation of the Contractual Guarantee.

B.3 Transfer of the guarantee

The Commercial Guarantee is linked to the Product sold by INVICTA GROUP, it is automatically acquired by any new non-professional owner consumer for the remaining duration.

B.4 Price of the guarantee

The Commercial Guarantee as defined above does not entail any additional payment by the Consumer.

B.5 Immobilisation of the Product

Any period of immobilisation of the Product suspends the remaining guarantee period from the date of the Customer's request for intervention or from the date the Product is made available for replacement or repair if this starting point is more favourable to the Customer. The duration will also be suspended in the event of negotiations between the guarantor and the Customer with a view to an amicable settlement of the dispute.

B.6 Amicable settlement of disputes

In the event of difficulty in applying this guarantee, the Consumer has the possibility, before any legal action, to seek an amicable solution, in particular by contacting INVICTA GROUP's After-Sales Service.

1.1.2 CE label and product serial number

The serial number is printed on the cover of the appliance "installation, use and maintenance" manual. It is highly recommended that the serial number be quoted for any request.

This number is also printed at the bottom of the CE label located on the back side of the unit.

EN 16510-1:2022, EN 16510-2-X:2022			
DoP:		EDP:	
		NB:	
P_{nom}	kW	P_{part}	kW
P_{SHnom}	kW	P_{SHpart}	kW
P_{Wnom}	kW	P_{Wpart}	kW
η_{nom}	%	η_{part}	%
η_s	%	EEI	-
CO_{nom} (13% O ₂)	mg/Nm ³	CO_{part} (13% O ₂)	mg/Nm ³
NO_{xnom} (13% O ₂)	mg/Nm ³	NO_{xpart} (13% O ₂)	mg/Nm ³
OGC_{nom} (13% O ₂)	mg/Nm ³	OGC_{part} (13% O ₂)	mg/Nm ³
PM_{nom} (13% O ₂)	mg/Nm ³	PM_{part} (13% O ₂)	mg/Nm ³
p_{nom}	Pa	p_{part}	Pa
p_W	kPa (bar)	s	mm
d_R	mm	d_S	mm
d_C	mm	d_P	mm
d_F	mm	d_L	mm
d_B	mm	d_{non}	mm
e_{lmax}	kW	e_{lmin}	kW
e_{lSB}	kW	E, f	V, Hz
W_{max}	W		V Hz
Designed in Italy - Made in Italy			
SN	00000000000000		
CODE	0000000000X		
Réf	00000000		

Example of CE label with serial number

SYMBOLS	PLATE KEY
nom	data taken at rated power
part	data taken at reduced power
$P_{nom/part}$	Heat output
$P_{SHnom/part}$	Space heat output
$P_{Wnom/part}$	Water heat output
$\eta_{nom/part}$	Efficiency
η_s	Seasonal space heating efficiency at nominal heat output
EEI	Energy Efficiency Index
$CO_{nom/part}$	CO emissions (at 13% O ₂)
$NO_{xnom/part}$	NO _x emissions (at 13% O ₂)
$OGC_{nom/part}$	hydrocarbon emissions (at 13% of O ₂)
$PM_{nom/part}$	particulate matter emissions (at 13% O ₂)
$p_{nom/part}$	minimum flue draught
p_W	maximum operating pressure
s	thickness of protective insulating material
d_R	minimum distance to combustible materials - rear
d_S	minimum distance to combustible materials - side
d_C	minimum distance to combustible materials - ceiling
d_P	minimum distance to combustible materials - frontal radiation
d_F	minimum distance to combustible materials - front floor
d_L	minimum distance to combustible materials - lateral radiation
d_B	minimum distance to combustible materials - bottom
d_{non}	minimum clearance from non combustible materials
e_{lmax}	consumption of electrical auxiliary energy at nominal heat output
e_{lmin}	consumption of electrical auxiliary energy at part load heat output
e_{lSB}	consumption of electrical auxiliary energy at standby
E, f	supply voltage and frequency
W_{max}	maximum electrical input
	read and follow the instructions for use

1.1.3 Remarks on materials



The materials used to manufacture this product have been thoroughly checked and are guaranteed to be free from defects.

The components below are subject to common wear and tear (corrosion or progressive decay) that cannot constitute grounds for objection due to the type and features of the materials used in the construction of the parts and due to the product operational conditions.

- The internal movable or fixed parts made of steel or cast iron are made of high-temperature resistant material, but may be subject to deformation if the wrong fuel is used or the recommended amount is exceeded too much. Phenomena such as corrosion, settling and minor deformation from thermal expansion, rusting, colour changes, surface oxidation, and abrasion do not entitle the user to replacements under warranty.
- The burn pots may be subject to high overheating, and with the time can be subject to corrosion and distortion or oxidation.
- Gaskets are used to seal the combustion chamber or for sealing ceramic glass panels; to ensure that the gaskets maintain their elasticity and ability to absorb any deformations over time, clean the ceramic glass following the instructions in paragraph 4.1.2; if, during cleaning, liquid products drip onto the ceramic glass and soak into the seals, these may harden and, in exceptional cases, cause the ceramic glass panel to collapse. Phenomena such as loss of elasticity, hardening, fraying, or detachment caused by repeated thermal cycling do not constitute manufacturing defects and do not entitle the user to replacements under warranty.

Misuse of the following components could result in their breakage.

- All ceramic glass panels are thoroughly checked, so any irregularities that might be noticed have to be considered within the supply specifications for this material and absolutely do not affect the strength of the ceramic glass nor the correct functioning of the combustion chamber. It should also be noted that with the production techniques currently available it is not possible to produce glass ceramic panels completely free of any defects. Phenomena such as micro-scratches, dulling, and discoloration due to prolonged exposure to heat and combustion residue do not constitute manufacturing defects and do not entitle the user to replacements under warranty. Note: please refer to Section 4.1.2 for instructions on cleaning.

1.2 Certifications

1.2.1 Ecodesign 2022



Language: ENG

INFORMATION REQUIREMENTS FOR SOLID FUEL LOCAL SPACE HEATER

Trademark:	INVICTA
Product type:	-
Model:	TRATTO 9 PLUS
Equivalent models:	-

Indirect heating functionality:	<input checked="" type="checkbox"/> no
Direct heat output:	8,5 kW
Indirect heat output:	0,0 kW

Fuels	Preferred fuel [yes / no]	Other suitable fuel(s) [yes / no]	η_s [%]	Space heating emissions at nominal heat output				Space heating emissions at minimum heat output			
				PM	OGC	CO	NOX	PM	OGC	CO	NOX
				mg/Nm ³ (13%O ₂)				mg/Nm ³ (13%O ₂)			
Compressed wood in the form of pellets or briquettes	<input checked="" type="checkbox"/> yes	<input checked="" type="checkbox"/> no	84%	15	2	133	99	18	5	271	117
Energy efficiency class:	A+										
Energy efficiency index (EEI):	124										

CHARACTERISTICS WHEN OPERATING WITH THE PREFERRED FUEL ONLY:

HEAT OUTPUT			
Nominal heat output	P_{nom}	8,5	kW
Minimum heat output (indicative)	P_{min}	3,6	kW

USEFUL EFFICIENCY (NCV as received)			
Useful efficiency at nominal heat output	$\eta_{th,nom}$	88,0	%
Useful efficiency at minimum heat output (indicative)	$\eta_{th,min}$	89,3	%

AUXILIARY ELECTRICITY CONSUMPTION			
At rated heat output	$e_{l,max}$	0,058	kW
At minimum heat output	$e_{l,min}$	0,027	kW
In standby mode	$e_{l,sb}$	0,002	kW

PERMANENT PILOT FLAME POWER REQUIREMENTS			
Pilot flame power requirement (if applicable)	P_{pilot}	N.a.	kW

TYPE OF HEAT OUTPUT or ROOM TEMPERATURE CONTROL			
With electronic room temperature control plus week timer		(F2)	7%

OTHER CONTROL OPTIONS			
Not applicable		(F3)	0%

Observe the specific precautions for installation, assembly and maintenance indicated in the manual accompanying the product

CONTACTS	ISSUED ON:	EMPOWERED PERSON:
Invicta Group Zone Industrielle Lieu-dit "La Gravette" - 08350 DONCHERY - FR Tél: +33 (0)3 24 27 71 71 www.invicta-group.fr accueil@invicta-group.fr	18/11/2025	 Ing. Andrea Tezza Technical Manager

1.2.2 Further certifications

We declare that the appliance
TRATTO 9 PLUS

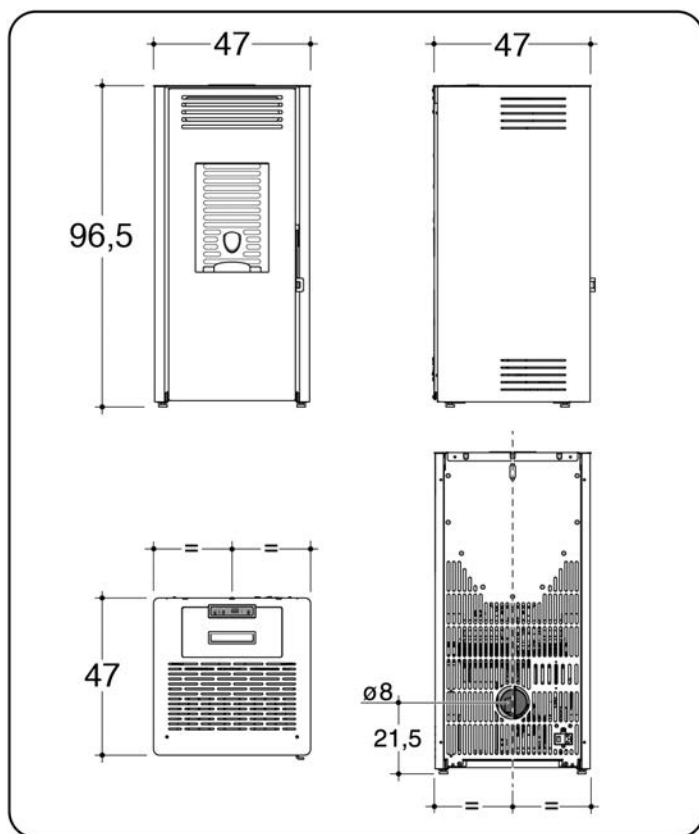
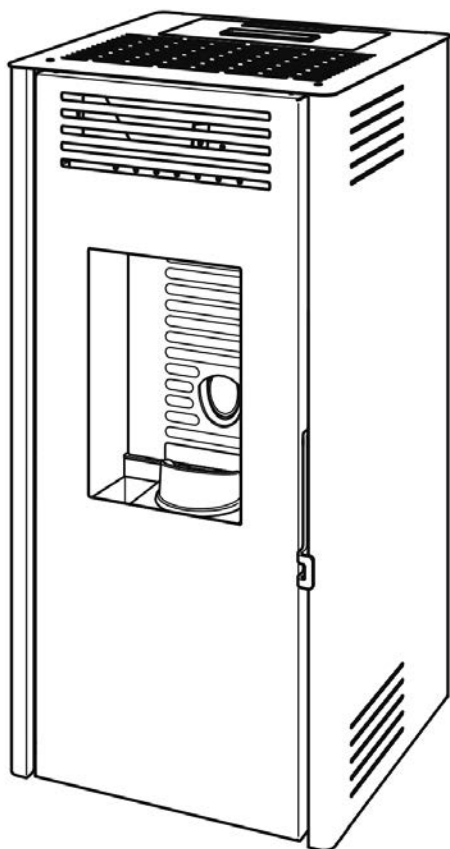
complies with legislative provisions that implement the following directives and regulations:

- Directive 2011/65/EU (RoHS Directive on the restriction of the use of certain hazardous substances in electrical and electronic equipment).
- Directive 2014/30/EU (EMCD Electromagnetic Compatibility) and subsequent amendments.
- Directive 2014/35/EU (LVD Low Voltage) and subsequent amendments.
- Regulation (UE) 305/2011 (Building Products).

i The Declaration of Performance and the Declaration of Conformity CE can be downloaded from our website www.caminettimontegrappa.it.

1.3 Technical dimensions and features

1.3.1 Technical drawings stove



1.3.2 Technical features

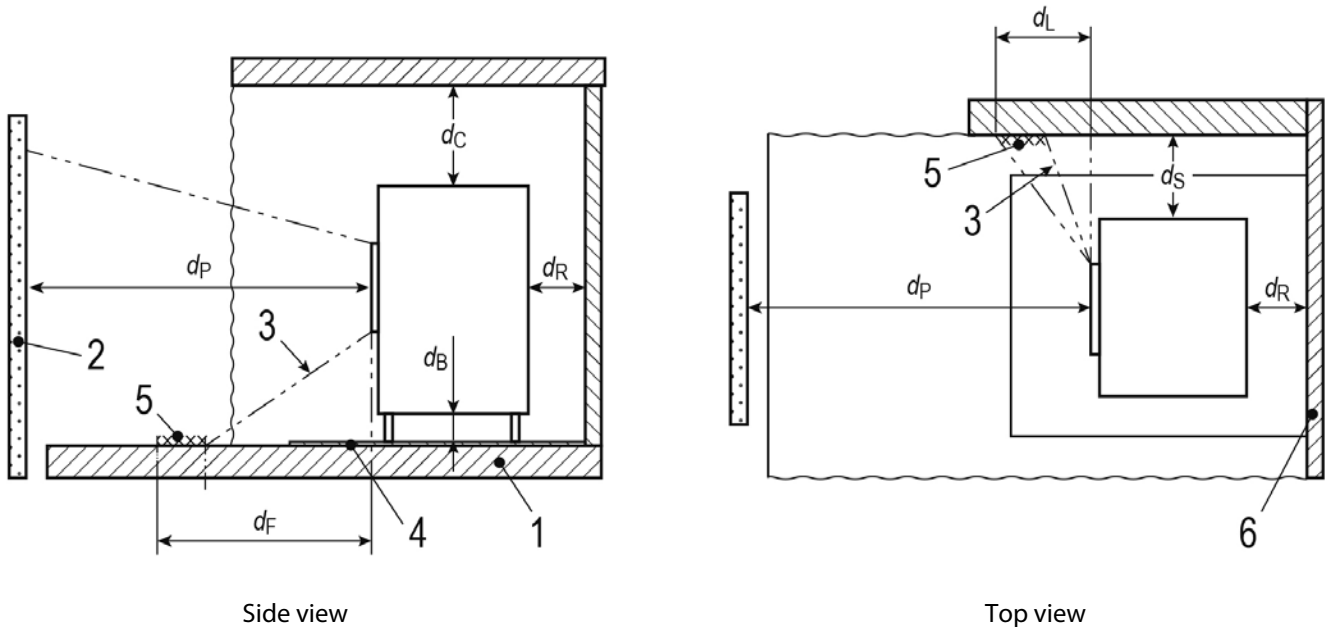
Readings in accordance with standard EN 16510-2-6:2022		TRATTO 9 PLUS		
Output	simb.	nominal (nom)	minimum (part)	
Thermal Output	<i>P</i>	8,5	3,6	kW
Space heat output	<i>P_{SH}</i>	8,5	3,6	kW
Water heat output	<i>P_W</i>	-	-	kW
efficiency	<i>η</i>	88	89	%
seasonal space heating efficiency at nominal heat output	<i>η_s</i>	84	-	%
energy efficiency index	<i>E_{EI}</i>	124		
CO emissions (at 13% of O ₂)	<i>CO</i>	0,0106	0,0217	%
CO emissions (at 13% of O ₂)	<i>CO</i>	133	271	mg/Nm ³
NO _x emissions (at 13% of O ₂)	<i>NO_x</i>	99	117	mg/Nm ³
hydrocarbon emissions (at 13% of O ₂)	<i>OGC</i>	2	5	mg/Nm ³
particulate matter emissions (at 13% of O ₂)	<i>PM</i>	15	18	mg/Nm ³
flue draught pressure	<i>p</i>	8	8	Pa
maximum operating pressure	<i>p_w</i>	-		kPa
thickness of protective insulating material	<i>s</i>	0		mm
consumption of electrical auxiliary energy	<i>el</i>	0,058	0,027	kW
consumption of electrical auxiliary energy at standby	<i>el_{SB}</i>	0,002		kW
nominal voltage	<i>E</i>	230		V
nominal frequency	<i>f</i>	50		Hz
maximum electrical input	<i>W_{max}</i>	350		W
chimney flue class	<i>T_{class}</i>	T250G		
maximum chimney load sustainable by the appliance	<i>m_{chim}</i>	0		kg
flue gas temperature	<i>T_{f,g}</i>	173	101	°C
flue gas temperature downstream of the flue spigot/socket	<i>T_s</i>	208	121	°C
total capacity of flue gases	<i>Φ_{f,g}</i>	7,1	4,0	g/s
fuel	-	wood pellet		
fuel consumption per hour	<i>m_h</i>	2,00	0,82	kg/h
receptacle capacity	-	16,5		kg
burn time	-	8,0	20,0	h
flue gases outlet	<i>d_{out}</i>	Ø 80		mm
combustion air intake	-	40 x 40		mm
protection degree IP	-	IP20		
heatable area at certified power (*)	-	97		m ²
net weight	<i>m</i>	85		kg
operation mode continuous (CON) or intermittent (INT)	CON/INT	CON		
type of appliance	-	Type B		

* The value indicated for heatable area (referred to areas with 2.70 m height with heating requirement between 32 and 33 W/m³) is merely indicative and it is calculated on the basis of perfectly insulated rooms and with the appliance installed in the best position to ensure an even distribution of the thermal flow. Given the countless different installation situations that can be found, the MANUFACTURER does not guarantee the matching of the indicated values in all contexts.

i IMPORTANT (FOR THE TECHNICIAN): When sizing the flues of wood pellet burning appliances using dedicated software applications, you can use a pressure value of 0 Pascal as a reference.

1.3.3 Safety clearances from combustible materials

i If walls have wood paneling or other combustible materials, keep a minimum safe clearance as shown in the following diagram and table. It is recommended that particularly delicate objects or pieces of furniture be installed at higher distances than those previously recommended, if you assume they could be damaged by the changes in temperature produced during the appliance operation. With non-combustible walls, place the appliance at a minimum safe clearance (d_{non}) as shown in the table below.



KEY	
1	floor
2	combustible material in the front
3	radiation zone
4	floor protection
5	surface subject to radiation to be protected
6	combustible surfaces

safety clearances from combustible materials		mm
d_R	back clearance	50
d_S	side clearance	200
d_B	down clearance	0
d_C	up clearance	500
d_P	front radiation	1500
d_F	floor radiation	0
d_L	side radiation	0
d_{non}	minimum clearance from NON combustible materials	50

i In case of floors made of inflammable material, it is necessary to place an appropriate protection underneath the appliance (for example a 20/10 steel floor protection mat).

1.4 Pellet fuel

Wood pellets are made through sawdust drawing after processing natural dry wood, whose content of lignin gives compactness to the material and enables to manufacture pellets without using any adhesives or binders.

The section of wood pellets varies from 6 to 12 mm.; the standard length is from 5 to 30 mm.; the density of a high grade pellet fuel varies from 1000 to 1400 kg/cu.m.

i **With this appliance we recommend the exclusive use of pellets of $6 \pm 1,0$ mm diameter and length $3,15 \leq L \leq 40,0$ mm (EN 17225-2 – Category A1).**

Various types of wood pellets are available on the market and their characteristics depend on the wood mixtures used for their manufacturing.

The pellet fuel produced from natural wood, free of dirt or any other impurities, originally contains an extremely low moisture content, from 6% to 8%, allowing its use without previous seasoning. Mind that the moisture content of pellets can easily change if the fuel is stocked in unsuitable places and that an increase in the moisture content may also increase the size of pellets, which may result in the blockage of the fuel feeding into the burn pot. A rise in the moisture content may also vary the molecular structure of pellets, which may convert into a viscous and low combustible material.

⊘ **It is FORBIDDEN to use fuels other than wood pellet.**

⊘ **The use of pellets manufactured from rejects of semifinished wood products containing binders and paint is FORBIDDEN; these pellets are not included in the category of approved or recommended pellet fuels.**

The heat output of natural pellets can achieve 4600 Kcal/kg and a very high efficiency is ensured when they are used with the suitable appliances.

Pellets are more economical as a fuel than natural gas or oil.

Their smoke emission rate comply with the most stringent European regulations referring to environmental protection, thanks to their peculiar characteristics teamed up with the technical features of this appliance.

Available on the market in 15 kg. bags, pellets can be stocked easily.

i **For the proper and safe operation of this appliance, it is very important that the pellets are stored in a dry place.**

After extensively testing, for the good functioning and efficiency of the appliance the MANUFACTURER highly recommends using fuel of good quality.

Pellets must be made from natural wood sawdust only, free from other materials.

⚠ **ATTENTION: Loading the pellet through the feeding system on the appliance is influenced by the characteristics of the pellet itself. Introducing different supplies of pellets you can find loading differences that can reach 20/25%, which translate into variations in thermal power introduced.**














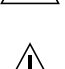
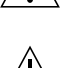
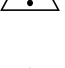
Therefore it is always advisable to check, at the first ignition and at each change of supply of pellets, over a period of time not less than 6 continuous hours that the combustion does not present a tendency to extinguish or accumulate pellets in the burner (see paragraph 3.3.5).

⚠ **CAUTION: The use of different fuels (maize, nutshells, etc.), low grade pellets or pellets with different sizes than those we recommend, may compromise the regular feeding process in the loading system, causing combustion irregularities, auger blockages and possible damage to the mechanical components. Furthermore, the presence of excessive sawdust may cause obstructions in the hopper, auger tube and burner, with the risk of malfunctions and even irreversible damage to the feeding system. The cases described above may result in the warranty being voided and release the manufacturer from any responsibility, as the resulting damages cannot be considered manufacturing defects.**


⚠ **CAUTION: The use of a pellet which produces lots of combustion residues can make the appliance get dirty more rapidly, thus causing frequent cases of pellet buildup. In such case it is absolutely necessary to reduce the time interval between routine maintenances of type B to no more than 250÷300 hours of use.**

1.5 Recommendations


1.5.1 Safety precautions

-  **IMPORTANT!!!** For the proper and safe operation of this appliance and the electrical components in it, and in order to prevent any possibility of causing serious injury, the instructions given in this manual must always be followed.
-  **CAUTION:** The installation, electrical connection, operation control, repair and maintenance works, must be executed by qualified staff only.
-  **CAUTION:** If there has been a fire in the flue it is necessary to turn the appliance off and call the fire department and check whether the chimney stack and flue pipe have been visibly damaged. Make any repairs before any further use of the combustion system.
-  **ATTENTION:** this appliance **CAN NOT** be installed using a shared chimney flue.
-  **CAUTION:** All national and local regulations and European Standards shall be complied with when installing the appliance.
-  **CAUTION:** All national and local regulations and European Standards shall be complied with when operating the appliance.
-  **CAUTION:** The accident-prevention and safety requirements stated in this manual must be followed carefully.
-  **CAUTION:** This manual must be read and understood in every part, and the use of the controls must be clear before operating the appliance or executing any works on it.
-  **WARNING:** The appliance operation, controls adjustment and programming must be done by adult persons only. Incorrect operation may cause harm, damage and/or malfunctions.
-  **WARNING:** Any tampering or unauthorized replacement of parts of the appliance could cause dangerous situations for the operator's safety, relieving the MANUFACTURER from any civil and criminal liability.
-  **WARNING:** During operation, some of the appliance surface areas may become very hot; we highly recommend not to leave the unit unattended in the presence of children, elderly and disabled people.
-  **Do not touch the glass; the glass provides visibility of the flames and also contributes to the distribution of heat through irradiation, so it reaches very high temperatures.**
-  **CAUTION:** To avoid overheating the appliance with consequential shut-down do not obstruct or cover with any cloth, towel, etc. the warm air outlet.
-  **ATTENTION:** Keep the fuel and inflammable materials at proper distance.
-  **CAUTION:** Leaning or hanging on the opened door imprudently, during cleaning operations, could cause the turnover of the appliance; it is therefore advisable not to do so and to take the necessary precautions especially when children, elderly or disabled people are present.
-  **WARNING:** Never use flammable liquids (alcohol or petrol) to speed up the lighting of a wood fire: it is extremely dangerous. Alcohol and petrol release highly flammable vapours, which could provoke the risk of burns.

1.5.2 Warnings for the management of anomalies in the combustion chamber

 **Strict compliance with all the instructions for installation (in accordance with statutory legislation), use and maintenance given in this manual is sufficient to ensure correct operation of the appliance and avoid potential problems.**

 **Malfunctions, both minor and serious, are frequently primarily caused by failure to comply with one or more of the prescriptions set down in this manual.**


 **Overpressure in the combustion chamber preceded by a significant and anomalous presence of smoke without flames is the most serious problem to be monitored closely because it can lead to rupture of the glass or cause the appliance door to burst open with the consequent release of smoke into the room.**

To avoid this risk, take care to:

- Ensure the burner is always clean before starting the appliance.
- Remove all encrustations and deposits caused by pellets of the incorrect size or of poor quality.
- Empty the burner and clean it thoroughly before attempting to light the appliance after a failed ignition event.
- Never attempt to load pellets into the burner by hand, either before starting the appliance or while it is operating.
- Refit the burner into its location after each maintenance task, removing any residues around the seating surface.
- When the appliance is in operation check for possible pellet accumulations.
- Monitor appliance operation to check for a tendency of the flame to extinguish.
- Remove any accumulations of unburnt pellets in the burner following a failed ignition event or a no pellet alarm, before re-starting the appliance. For safety reasons, never re-load previously removed unburnt pellets into the pellet fuel hopper.


In the presence of pellet accumulations with the anomalous generation of copious smoke without flame, observe the following prescriptions:


- Do not disconnect the appliance from the electrical power supply under any circumstances.
- Do not open the appliance door.
- As a precaution, open the windows of the room in which the appliance is installed in order to provide adequate ventilation.
- Do not stand in front of the appliance. Keep clear of the area until the smoke has been completely dispersed.


 **If the appliance repeatedly fails to light or in the presence of repeated anomalous generation of copious amounts of smoke with no flame in the combustion chamber, stop using the appliance immediately and have both appliance and flue checked by an authorised technician.**


 **WARNING: It is PROHIBITED to use and try to re-ignite the appliance after a deflagration in the combustion chamber. Only a qualified technician should be contacted to check and repair any damaged parts.**

1.5.3 General recommendations


 **CAUTION:** This appliance is intended for the use it has been designed and manufactured for only.


 **CAUTION:** Do not use this unit as a cooker.

 **ATTENTION:** Don't use the appliance as an incinerator.

 **CAUTION:** Do not use the appliance in the case of faults or malfunctions, and if these should occur while it is on, switch it off immediately by prolonged pressing of the button [P3] (see section 3.3.2). Only disconnect the appliance from the mains once it has shut down completely (electrical plug disconnected).

 **In order to avoid releasing smoke in the room, it is FORBIDDEN to operate the appliance with the door open, without the glass panel or with broken glass.**

 Inspect and clean the exhaust venting system periodically.

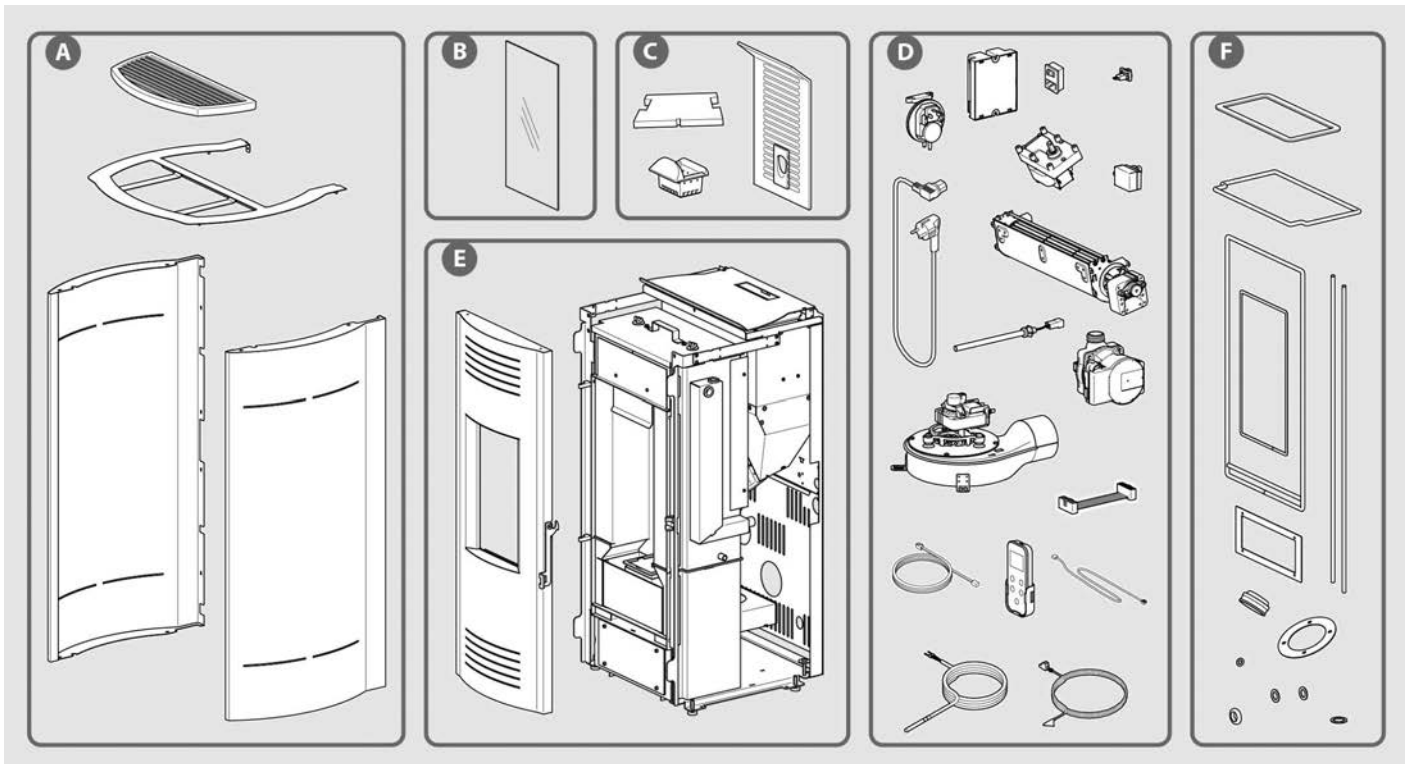
 Do NOT spray the appliance with water to clean any of its parts.

- i** For repairing, refer to authorized professionals and ask for original replacement parts only.
- i** Keep this instruction manual as an integral part of the product for future reference. It must be supplied together with the unit if this is resold or moved to another place, so as to allow the next user and installer to get acquainted with its operating instructions and requirements. Should the manual be lost or become unreadable, call Caminetti Montegrappa for a new copy.

1.5.4 End-of-life disposal of appliance components

- i** Responsibility for the demolition and the disposal of the appliance lies exclusively with the owner who will have to act in compliance with the regulations in force in his own Country regarding safety, respect and protection of the environment.
- i** At the end of his useful life the appliance cannot be disposed of together with urban refuse. It can be taken to special waste collection centers provided by local government, or to a dealer providing this service.
- i** The separate disposal of the appliance (taking it to authorized recycling centres) avoids the possible negative consequences for the environment and human health resulting from inappropriate disposal and allows to recover the materials it is made of, in order to obtain significant energy and resources savings.
- i** For more information about how to collect electric and electronic equipment and appliances, batteries and accumulators, please contact your local Council or Public Authority competent to issue the relevant permits.
- i** The abandonment of the appliance in accessible areas is a serious danger to humans and animals. The responsibility for any damage to people and animals always lies with the owner.
- i** Upon demolition, CE marking, this manual, the declaration of disposal, the manual for installation and other documents relating to this appliance must be preserved. Remember that any registration with the regional land registry should be annulled.

! WARNING: Improper disposal of the appliance by the user implies the application of administrative sanctions provided by law.



The exploded view and the following table show and list the components of the appliance and the instructions for correct separation and disposal. In particular, electrical and electronic components must be separated and disposed of at authorized centres according to the WEEE Directive 2012/19/EU.

A. EXTERNAL LINING

If present, dispose of separately according to material:

- metal
- glass
- tiles or ceramic material
- stone

B. DOOR GLASS

If present, dispose of separately in glass recycle containers.

C. INTERNAL LINING

If present, dispose of separately according to material:

- metal
- tiles or ceramic material

D. ELECTRICAL AND ELECTRONIC COMPONENTS

Wiring harnesses, motors, fans, circulating devices, displays, sensors, spark plugs, electronic boards.

Dispose of separately at authorized centres, according to the indications of the WEEE Directive 2012/19/EU.

E. METAL STRUCTURE

Dispose of separately in metal recycle containers.

F. NON-RECYCLABLE COMPONENTS

Handles, Gaskets and piping made of rubber, silicone or fibres, etc.

Dispose of in mixed waste.

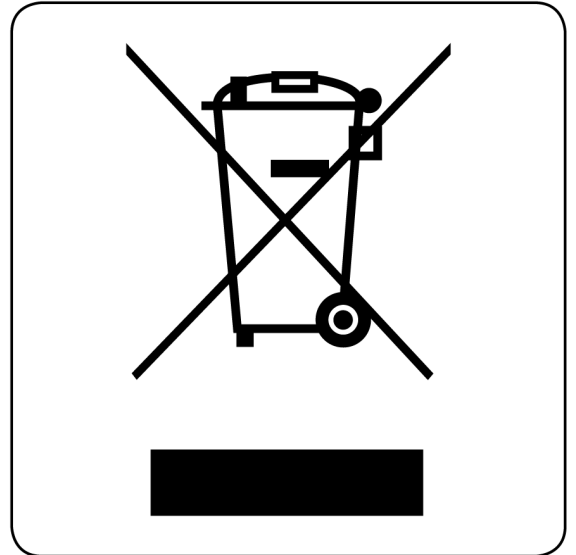
Information for management of electric and electronic appliance waste containing batteries or accumulators in accordance with European Directive 2012/19/EC.

i This symbol, which is used on the product, batteries, accumulators or on the packaging or documents, means that at the end of its useful life, this product, the batteries and the accumulators included must not be collected, recycled or disposed of together with domestic waste.

i Improper management of electric or electronic waste or batteries or accumulators can lead to the leakage of hazardous substances contained in the product. For the purpose of preventing damage to health or the environment, users are kindly asked to separate this equipment and/or batteries or accumulators included from other types of waste and to arrange for disposal by the municipal waste service. It is possible to ask your local dealer to collect the waste electric or electronic appliance under the conditions and following the methods provided by national laws transposing the Directive 2012/19/EC.

i Separate waste collection and recycling of unused electric and electronic equipment, batteries and accumulators helps to save natural resources and to guarantee that this waste is processed in a manner that is safe for health and the environment.

i For more information about how to collect electric and electronic equipment and appliances, batteries and accumulators, please contact your local Council or Public Authority competent to issue the relevant permits.



1.6 Safety requirements and devices

The appliance is provided with the following safety devices:

- Sensor for measuring the flue gas temperature: it indicates that ignition has taken place; it switches on the convection fan; it indicates the unprogrammed fire extinction; it stops the smoke exhauster and the convection fan after the programmed fire extinction.
- Sensor for measuring the temperature in the fuel hopper: if it senses the temperature in the pellet hopper to be higher than the preset safety temperature, it will shut down the appliance.
- Pressure switch to control the negative pressure inside the combustion chamber: it switches the appliance off, if it is switched on, or prevents it from being switched on, if it is switched off, whenever the combustion chamber door is open or the inspection openings for maintenance work are open; It also triggers in the case of an overpressure in the smoke exhauster flue or a negative pressure in the room where the appliance is installed to prevent the flame from being sucked out of the combustion chamber towards the pellet hopper, thus preventing the fuel contained therein from catching fire.



It is FORBIDDEN to disconnect the safety devices.

Once the troubles that activated the safety alarms are eliminated, the appliance can be re-started and operated normally.



IMPORTANT: The appliance must be positioned so as to allow easy access to the plug.



WARNING: The appliance must be connected to an insulated flue of the correct size.



NOTE: This section has been drawn up considering the appliance as being operated in accordance with the requirements and directions on the appliance use indicated under chapter 3.

If the appliance is not used in the conditions described in this instruction manual, the MANUFACTURER declines all responsibility for damage to persons, things and animals that may occur. The MANUFACTURER also disclaims any liability for damage to persons, property and animals caused by failure to comply with the following recommendations:

- A) During any maintenance, adjusting, cleaning and servicing works, the appliance must not be left unattended in order to avoid incidental starting by third party.**
- B) Do not mishandle and/or remove any safety devices in the appliance.**
- C) Provide an efficient connection to the exhaust venting system.**
- D) Check that the room where the appliance is installed is aerated as prescribed.**

1.7 Environment requirements



IMPORTANT: To ensure its proper operation, the appliance shall be located in a ventilated room where an air flow allowing the complete combustion of wood can be admitted according to the installation requirements under the local standards currently in force.

The air supply must be sufficient for proper combustion and to provide ventilation of the room, the volume of which cannot be less than 20 cu.m.

The natural admission of air must be provided through a permanent opening made on the exterior wall(s) of the room to be aired (for the minimum section dimensions see section 2.3.2); the outside fresh air intakes must be made in such a way they can never be obstructed (check regularly).

Air entering the room where the appliance is installed from contiguous room(s) is permitted provided it is admitted from a space which is aired directly from outside, a space which is not used as a bedroom or a bathroom and where fire ignition could never occur, as in a garage or in a combustible warehouse, in compliance with the requirements under the local standards currently in force.

40 cu.m/h of air is required in order to ensure proper fuel combustion.



It is FORBIDDEN to install the appliances in rooms where the depression measured between the internal and external environment is greater than 4 Pa. The possibility of coexistence with devices such as extractor hoods, mechanical ventilation systems, further generators of heat, must be evaluated in the harshest operating conditions both during preventive checks and during the ignition test phase.

A greater than 4 Pa depression inside the room where the appliance is installed may cause the flame to be drawn from the combustion chamber towards the pellet tank, with the consequent risk of a fire inside the tank itself.



If the stove operates in the presence of depression inside the room in which it is installed, caused by the operation of devices such as hoods, mechanical ventilation systems or other generators, during the pellet loading phase the flame is sucked through the tank which can cause distillation of the pellets and the consequent formation of creosote inside the screw auger.

The occurrence of this phenomenon repeated over time can lead to the blockage of the screw inside the loading system and the consequent malfunction of the heat generator.



Do NOT install the appliance in a bedroom or a bathroom, or in any other room where an existing heating appliance (fireplace, stove, etc.) is not provided with its own outside air source.



It is FORBIDDEN to install the appliance near objects made of combustible materials (curtains, pieces of furniture, carpets,...).

If the appliance is installed on flooring that may be flammable, a 2 mm thick (minimum) non-flammable floor protector must be laid underneath that is larger than the unit's base.



The appliance is not designed to be operated in environments where materials may explode. Therefore, it is FORBIDDEN the use of the appliance in an explosive atmosphere or in a space where materials or machineries may produce gas or dust emissions in such a quantity they may cause an explosion.

1.8 Equipment



i If the power cable is damaged, it must be replaced with an original one available from the MANUFACTURER or its Technical Assistance Service.

1.9 Functioning principle

This unit has been designed to burn dried, compressed, pelletized wood into a cast-iron container called burn pot where the optimum ratio of combustion air and pellet fuel is always ensured at each heat output that will be selected.

Varying the air supply proportionally to the pellet feed rate ensures the appliance excellent performance at all operating settings and represents an important feature enhancing the quality standards of this appliance. This procedure is handled automatically by the electronic control module: electronic card with microprocessor.

This highly developed module is responsible for controlling and adjusting the appliance functions in accordance with the requirements of the user.

The pellet feed rate, the flue gas flow discharged and the rate of warm air flow emitted into the room are automatically adjusted according to the operating setting selected through the control panel with chrono-thermostat.

In order to utilize to the utmost and avoid to waste the heat produced in the combustion chamber, a heat exchanger with vanes has been introduced in order to get the heat from those areas where the combustion products reach the highest temperature.

An air flow passing through a circuit inside the unit absorbs the heat by natural convection thus cooling the appliance for added protection.

The fan that distributes warm air in the room is the tangential type.

The high-head and -flow centrifugal exhauster ensures high efficiency and power in releasing the combustion products.

2 INSTALLATION

2.1 Packaging dismantling and disposal

Consisting of non-toxic and not noxious materials, the packaging does not need any special disposal procedure; the user is in charge of stocking, disposing of, or recycling the wastes of the packaging according to the regulations in force in the country where the product has been purchased.



WARNING: Keep plastic coverings out of the children's reach as they could represent a danger.

2.2 Installation requirements

The appliance must be installed in a space which allows to operate it and perform routine maintenance works easily. The room chosen for the installation of the appliance must therefore feature:

- Proper environment conditions and permanent outside air source as indicated under section 1.7 "Environment requirements".
- Made with any structural floors of adequate load-bearing capacity (check weight of appliance in data sheet in Section 1.3.2). If the existing construction does not meet this requirement, appropriate measures (such as a load distribution plate) must be taken.
- 230 V~ 50 Hz line voltage.
- Electrical system complying with the directives in force.
- A system of exhaust gases complying with the standards in force aiming at guaranteeing:
 - Adequate draught for the correct and safe appliance operation.
 - Adequate resistance to high temperatures.
 - Adequate resistance to corrosion due to combustion products.
 - Easy access for periodic checks and maintenance.
 - Adequate insulation from inflammable materials.
- The room must also comply also with further standards in force in the country where the appliance is installed.



CAUTION: The installation of the appliance must provide easy access for cleaning the appliance itself, the flue pipes and the chimney.

2.3 Appliance installation



IMPORTANT: All installation work for your appliance must be performed only by qualified technicians or comparably experienced and knowledgeable persons.

2.3.1 Appliance Positioning



Before positioning the appliance on the ground it is necessary to unscrew the screws inside the cladding which anchor it to the pallet (to remove the sides of the cladding see section 2.3.7).

After choosing the most suitable location for your appliance, but before setting it in place, determine the center point of the flue gases outlet pipe (review sections 2.3.3 and 2.3.4 to see which most closely matches your situation), and using the measurements shown in the figure 1, make an access hole through the wall.

See section 2.3.2 for making the outside air intake hole.



IMPORTANT: When cutting a hole for the appliance exhaust pipe through a inflammable wall, provide the necessary insulation whose thickness may vary from a minimum of 3 cm up to a maximum of 10 cm. We otherwise recommend the use of lined pipes, which are also excellent for preventing condensation in exterior venting systems.



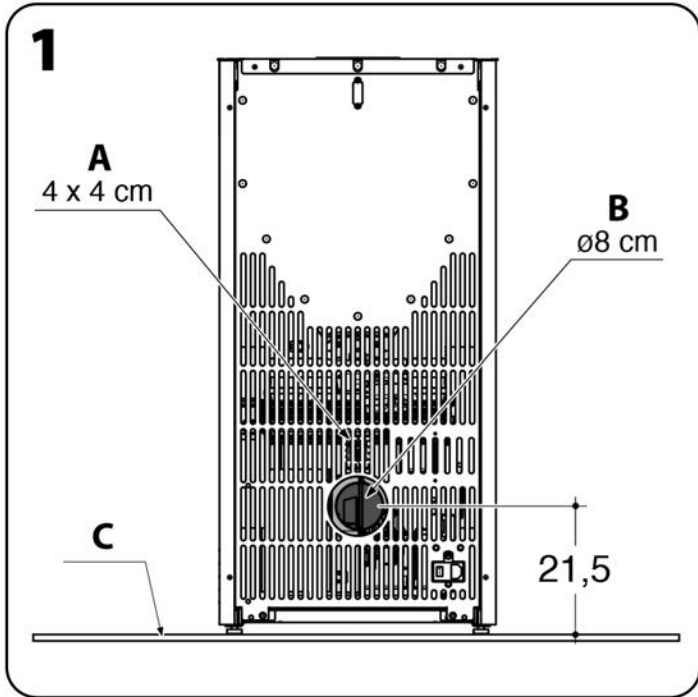
IMPORTANT: Pressure in the firebox is always negative. There will be a negative pressure in the exhaust pipe when it is connected to an efficient chimney flue as prescribed. The use of pipes and bends with gaskets ensuring airtight connections is recommended.

i The installation of your appliance must comply with all prescriptions and recommendations indicated under sections 1.5, 1.6, 1.7 and 2.2, and the electrical plug must be always accessible.

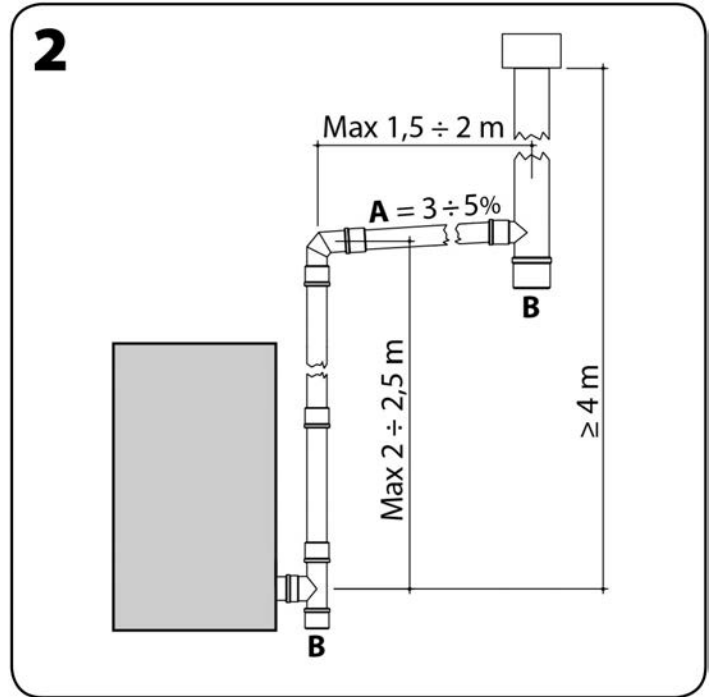
! **IMPORTANT:** All sections of the exhaust venting system must be removable to allow periodical maintenance (see figure 2).

Note: The schematic shown in the figure n° 2 indicates the necessary configurations for correct appliance operation: height - gradient - inspection access.

The most suitable type of insulation must be determined on a case-by-case basis for each flue gas exhaust venting system, and all external venting systems conduits must be insulated.



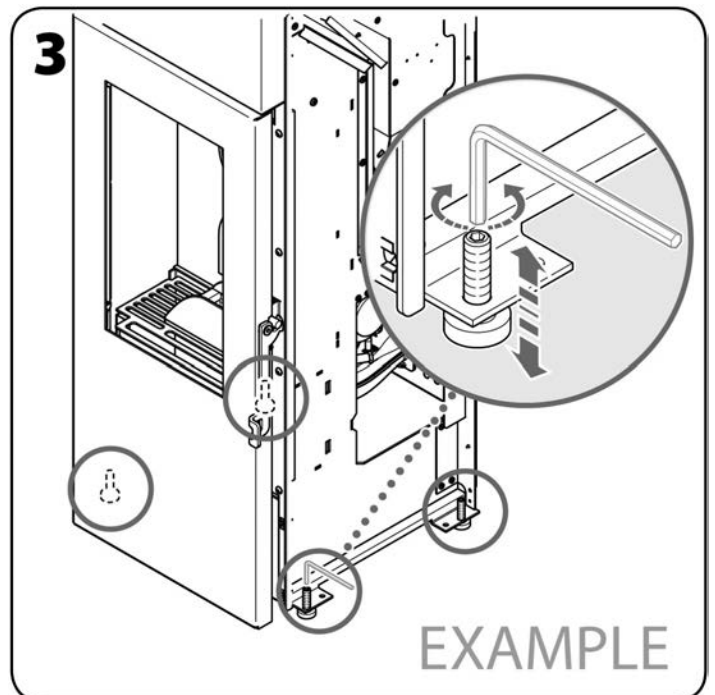
A. Combustion air inlet
 B. Smoke outlet
 C. Optional non-flammable floor protector



A. Gradient
 B. Clean-out door

i **IMPORTANT:** Once the appliance has been positioned in the pre-established place, it can be raised by means of the adjustable feet.

To adjust the height of the feet (after removing the sides of the cladding - see section 2.3.7) use a 5 mm hex key, screwing clockwise to raise the appliance and unscrewing counter-clockwise to lower it.



2.3.2 Outside air intake

For health and safety reasons, an outside air supply is recommended. This is also necessary to ensure proper combustion. Cut a hole through an exterior wall for a 100 sq.cm diameter outside air intake (\varnothing 12 cm hole), protected by both an interior and exterior grate.

i The air intake must not be on the back side of the appliance.

! **IMPORTANT:** In the room where the appliance is installed, make sure that there is an air flow rate of 40 cu.m/hour for combustion use.

2.3.3 Flue gases venting into a traditional chimney

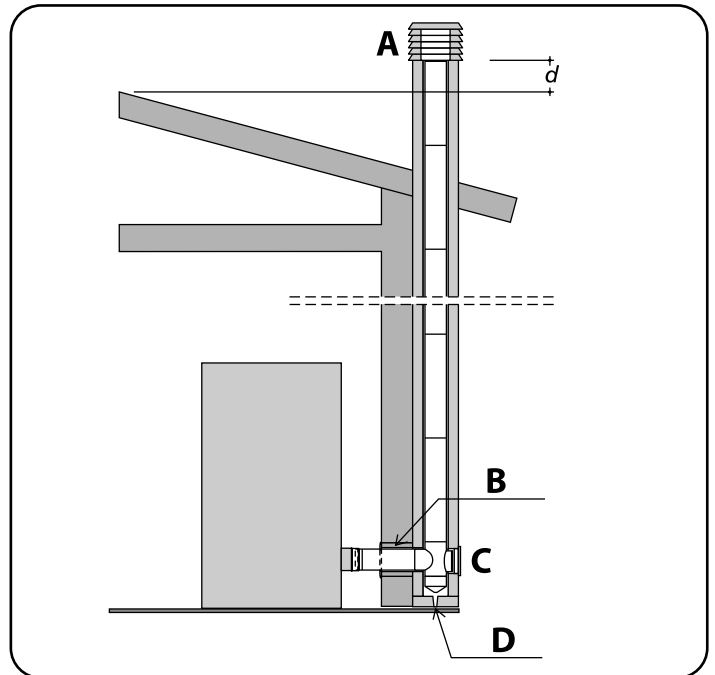
- The minimum internal dimensions of the chimney flue must be 10x10 cm or 10 cm \varnothing and must not exceed 20x20 cm or 20 cm \varnothing ; if the existing chimney flue has a larger section or is in poor conditions (i.e. cracked, poor insulation etc.), be sure to refer to a calculation note in order to guarantee that the sizing of the duct allows you to comply with the operating specifications of the appliance and completely safe use.
- Make sure the draught is in Pa, as indicated in the technical chart (see section 1.3.2).
- Provide a clean out door at the bottom of the chimney flue for routine inspection and yearly cleaning.
- The connection of the exhaust pipe to the flue must be sealed or secured with gaskets.
- The chimney flue must be terminated with a wind/rain cap; ensure the wind cap is installed above the top of the roof at a distance "d" varying in accordance with the local standards.

! **CAUTION:** If there has been a fire in the flue it is necessary to turn the appliance off and call the fire department and check whether the chimney stack and flue pipe have been visibly damaged. Make any repairs before any further use of the combustion system.

i If the smoke exhauster is out of order or in case of electrical outage, the connection of the exhaust pipe into an exterior vertical vent ensures the correct release of combustion gases.

i The draught value indicated among the technical features of the appliance refers to Technical Norms and testing, so as to guarantee the best thermal performances of the appliance (consumption, efficiency, emissions) in conformity with the technical data declared and certified by the Institute in charge of the certification. A higher draught value could provoke malfunctioning, high fuel consumption, overheating of the appliance body and cause annoying noises in the firebox.

i **IMPORTANT (FOR THE TECHNICIAN):** When sizing the flues of wood pellet burning appliances using dedicated software applications, you can use a pressure value of 0 Pascal as a reference.



A. CHIMNEY WIND CAP
B. INSULATION
C. CLEAN-OUT DOOR
D. CONDENSATE DRAINAGE SYSTEM

2.3.4 Smoke outlet into exterior vertical vent (stainless steel lined type)

- The internal dimensions of the exterior vertical vent may vary from a min. 10 cm up to a max. 20 cm section.
- Make sure the draught is in Pa, as indicated in the technical chart (see section 1.3.2).
- Only double-wall lined pipes in stainless steel must be used adequately and anchored to the building.
- Provide a clean out door at the bottom of the exterior vertical vent for routine inspection and yearly cleaning.
- The chimney flue must be terminated with a wind/rain cap; ensure the wind cap is installed above the top of the roof at a distance "d" varying in accordance with the local standards.



CAUTION: If there has been a fire in the flue it is necessary to turn the appliance off and call the fire department and check whether the chimney stack and flue pipe have been visibly damaged. Make any repairs before any further use of the combustion system.



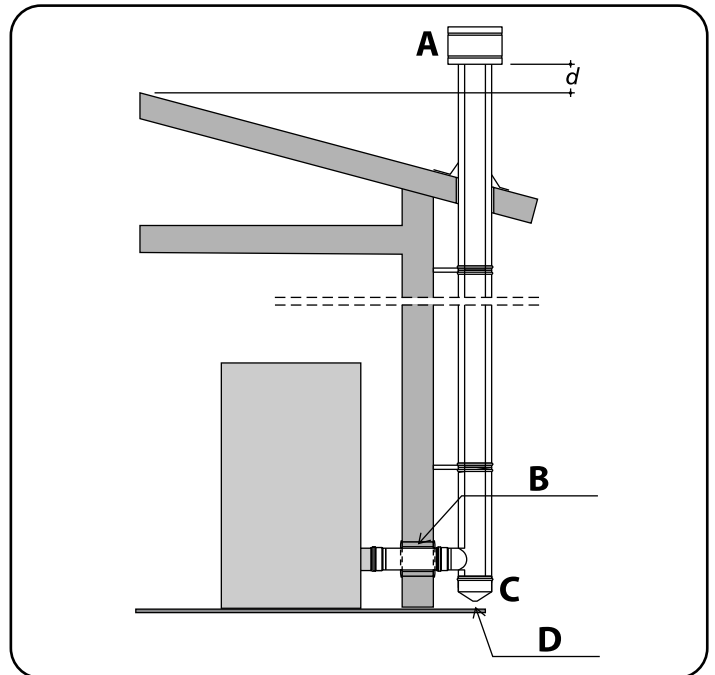
If the smoke exhauster is out of order or in case of electrical outage, the connection of the exhaust pipe into an exterior vertical vent ensures the correct release of combustion gases.



The draught value indicated among the technical features of the appliance refers to Technical Norms and testing, so as to guarantee the best thermal performances of the appliance (consumption, efficiency, emissions) in conformity with the technical data declared and certified by the Institute in charge of the certification. A higher draught value could provoke malfunctioning, high fuel consumption, overheating of the appliance body and cause annoying noises in the firebox.



IMPORTANT (FOR THE TECHNICIAN): When sizing the flues of wood pellet burning appliances using dedicated software applications, you can use a pressure value of 0 Pascal as a reference.



A. CHIMNEY WIND CAP
B. INSULATION
C. CLEAN-OUT DOOR
D. CONDENSATE DRAINAGE SYSTEM

2.3.5 Electrical connection

To be done after installing the cladding.

Insert its power plug into an appropriate wall socket.



Press the on/off switch only when you want to operate the appliance.

Pressing the on/off switch will give power to the appliance.

The appliance will start in accordance with the operation mode selected (see section 3.3.1) or possibly in accordance with the pre-set programmes (see section 3.3.5).



Make sure the hopper is filled with enough pellets for the operating time that is set.

2.3.6 Positioning the room temperature sensor

To be done after installing the cladding.

Place the room temperature sensor in a place where the average room temperature can be detected (we recommend not to install the sensor near windows or doors in order to avoid wrong temperature readings).



The correct positioning of the room temperature sensor ensures the correct operation of the appliance.

2.3.7 Disassembling the cladding

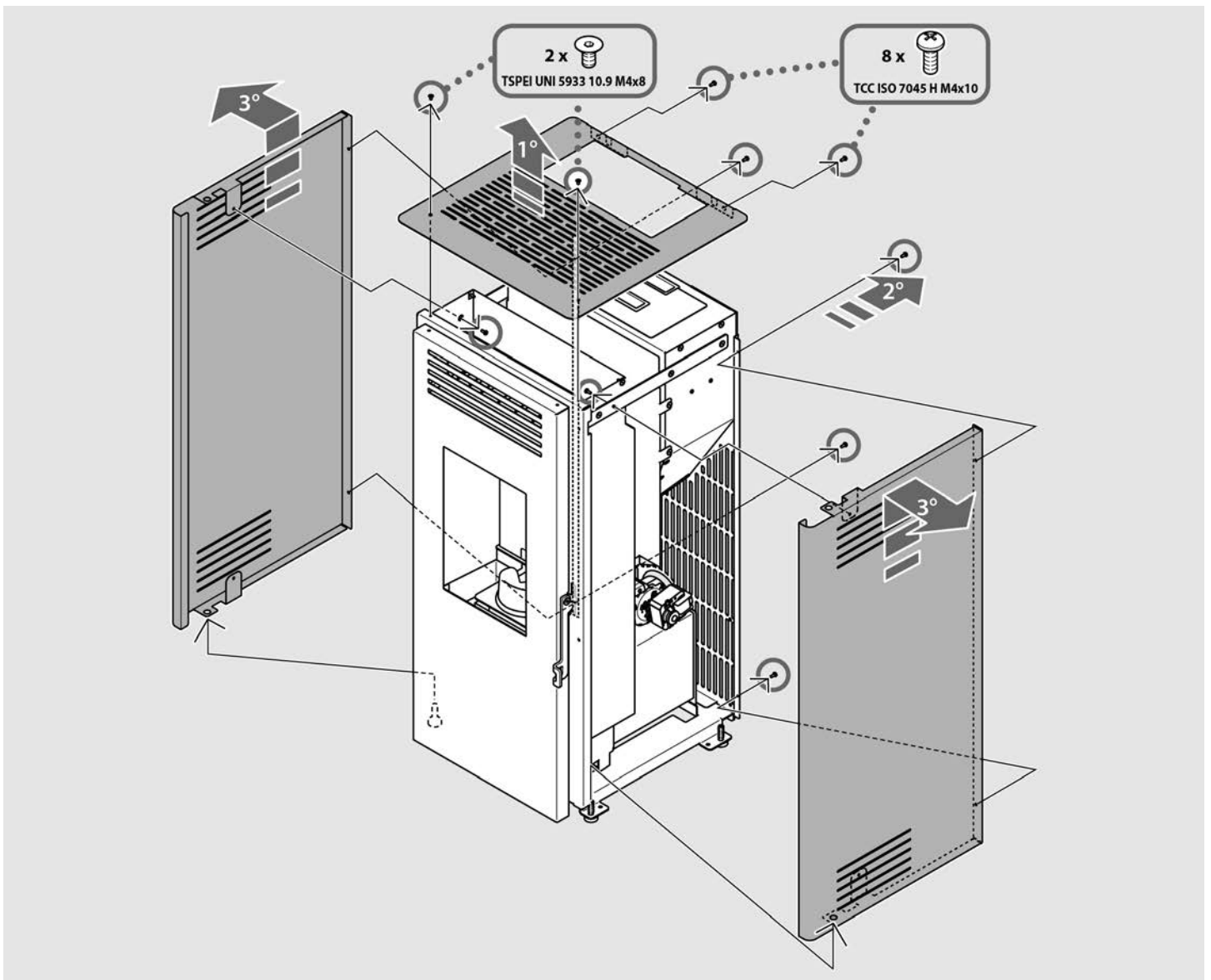
If it should be necessary, for a maintenance intervention, to access the electrical and electronic parts, operate according to the following instructions to remove the cladding elements.

⚠ WARNING: This work can only be done after the appliance has cooled completely and has been disconnected from the electrical power source (electrical plug disconnected).

⚠ ATTENTION: To be on the safe side, wear work gloves.

1. Disconnect the display cable and carefully remove the cover by unscrewing the top two screws and the two rear screws.
2. Unscrew the 6 screws of the sides of the lining (4 rear screws and 2 that secure the inside brackets).
3. Remove the sides by lifting them carefully.

i In the end correctly assemble the component parts removed in reversed sequence.



3 OPERATION

3.1 Pre- and first-lighting instructions

Before lighting the appliance for the first time the following must be done:

- Remove the sticker from the glass and any adhesive marks if necessary.
- Ensure that all safety requirements are met (see sections 1.5 and 1.6).
- Electrical connection: After verifying that the line voltage is correct (230 V~ 50 Hz), flip the main switch located on the back panel of the appliance to the "ON" position.
- Check that the control panel display lights up, which indicates that appliance is powered.
- make sure the hopper is filled with enough fuel for the desired service time.

i The fuel quality standards must comply with what prescribed under section 1.4.

! CAUTION: Children must be supervised by an adult in order to prevent them from touching the appliance hot parts or modifying its functions.

i The metal component parts of the appliance are coated with a special high temperature paint that will reticulate, chemically stabilize and become fully heat resistant after the first few lightings. During this chemical reaction, the paint will smell bad and release vapours, thus it is recommended that the room be properly aerated. When this process is finished, no more bad smell and vapours will be released during the appliance normal operation.

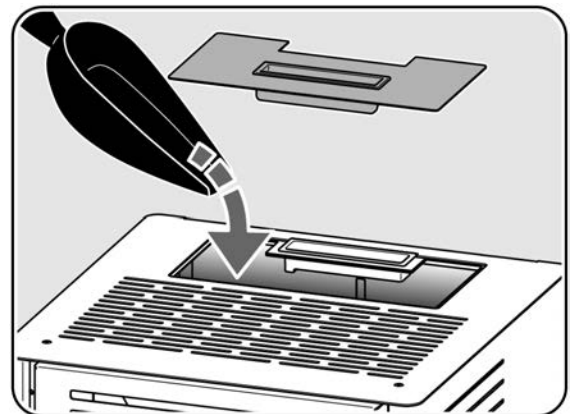
3.2 Pellet loading

Open the lid of the loading port and fill the hopper with pellets of $6 \pm 1,0$ mm \varnothing with length $3,15 \leq L \leq 40,0$ mm (EN 17225-2 – Category A1).

! CAUTION: Do not remove the protection grate that is mounted inside the hopper.

! ATTENTION: The pellet that should accidentally fall outside the reservoir while loading it could come into contact with very hot parts of the appliance with the resulting risk of a fire. It is therefore necessary to use a specific shovel so that the pellet bag does not burden on the reservoir and/or does not touch the hot parts of the appliance.

The pellet that should fall out of the reservoir and finish in the areas between the reservoir and the cladding must be immediately removed.



! IMPORTANT: To ensure correct functioning of the appliance always close the lid of the hopper after refilling.

i Check the quantity of pellets in the hopper from time to time, and refill promptly whenever necessary in order to avoid setting off an appliance alarm due to low fuel level (the sustained sound of the acoustic alarm may cause a nuisance until the user has a chance to reset the system).

3.3 Control panel



CONTROL PANEL



[P1] = [DECREASE/MENU/SET ENVIRONMENT].



[P2] = [INCREASE/STOVE STATUS/SET POWER].



[P3] = [ON/OFF/ESC/CONFIRM].

The appliance control panel is also equipped with eight led lights.

3.3.1 Starting your appliance

Before operating your appliance again, clean the ceramic glass door if needed (see section 4.1.2), remove any residual combustion products from the burn pot, clean the firebox, and vacuum up the ash residues in the burn pot and ash pan (see section 4.1.3). If the appliance has not been used for a long time, remove any pellets that may still be in the fuel hopper because they could have lost their original properties which ensure a good combustion. Also vacuum any pellet sawdust from the hopper.



IMPORTANT: This last procedure must be carried out using an appropriate vacuum cleaner. Never remove the protective grate from the top of the pellet hopper for any reason, not even temporarily.

Activate the appliance by putting in the "ON" position the switch for the ignition of the control panel placed in the back.

The display shows the switched-off status of the appliance, the ambient temperature and the time; the OFF message scrolls, followed by the temperature and the time.

The control panel of the appliance is equipped with a lit display and with three buttons as described below:



View of message scrolling on display:
OFF - 21.1 - 14:05



In the case of first ignition: remember that the screw auger feeding the pellets is empty; it is therefore necessary to wait for a certain time until it is filled and the burn pot is fed; for that purpose choose the function [FIRST LOAD] from the user menu.

To switch on the appliance press the button [P3] for a few seconds. When the appliance is switched on this is shown in the display with the wording [Start] and by the flashing ON\OFF led light. In these conditions the appliance goes into preheating phase, the resistance switches on (resistance led on) and also the smoke exhauster.

Any irregularities during the ignition phase are shown on the display and the appliance goes into the alarm status (see section 3.3.6).



View of message scrolling on display:
START

Once the ignition procedure has started, 3 function modes follow:

- **Loading pellet:** the pellet loading stage starts after around 1 minute, the wording [Load Pellet] scrolls on the display and the ON\OFF led flashes. In the initial phase the screw auger loads the pellet into the burn pot (screw auger led on). In the second phase, the screw auger switches off (screw auger led off). If ignition does not take place after this phase, the screw auger comes on again to feed the burn pot.



View of message scrolling on display:
LOAD PELLE

- **Flame present:** after combustion is activated and a sufficient level of heating is reached, the appliance goes into the ignition status showing the wording [Flames Present] on the display and the ON\OFF led flashes.



View of message scrolling on display:
FLAMES PRESENT

- **Work:** after the appliance has reached an adequate development of combustion and a sufficient level of heating maintained for an suitable time, it will go into work status, which is the normal operating status. The display shows the wording relating to the work status followed by the operating power and the ambient temperature [Working - on5 - 22.5c], the ON\OFF led is on constantly, and the air exchanger fan comes on (fan led on).



View of message scrolling on display:
WORKING - ON5 - 22.5c

At time-intervals regulated by the electronic card the appliance positions itself on the "cleaning" operational mode to maintain the burn pot clean and efficient, and showing the wording [Cleaning Fire-Pot] on the display.



View of message scrolling on display:
CLEANING FIRE-POT

IMPORTANT: If the ignition fails, the appliance goes into "ignition failed" alarm status and the message [AL 5 ALAR AL 5 NO LIGHTING] scrolls on the display.

Before a second ignition is attempted, completely remove any residual combustion products from the burn pot.

CAUTION: In the following cases always remove any pellets that may still be in the burn pot before restarting the appliance:

- After every failed ignition.
- After selecting the switch-off mode before the ignition cycle is completed.
- On re-igniting following switching off because of lack of pellet.

ATTENTION: For safety reasons never put these pellets in the fuel hopper.

3.3.2 Switching off

To switch off the appliance just press the button [P3] for a prolonged period of time. The display shows the "final cleaning" message [Final Cleaning]. The screw auger stops (screw auger led off), and the ON\OFF led flashes.

The air exchanger fan and the smoke exhauster remain on until the appliance cools down completely. After a pre-established time, if the appliance remains cold, it switches off, showing the message [Off] on the display.



View of message scrolling on display:
FINAL CLEANING



View of message scrolling on display:
OFF

 **CAUTION: Never switch off the appliance by disconnecting the power plug.**
This may adversely affect the structural integrity of the appliance and cause failures by the following lighting.

3.3.3 Setting maximum operating power

There are 5 operating powers on the appliance and they are managed automatically by the appliance. During normal operation (Work) the maximum operating power can be modified by acting on the button [P2]. (Set power led on). To increase the power press [P2] again, and to reduce the power press [P1]. The power level set can be viewed on the display. To exit the setting wait for 5 seconds without carrying out operations on the control panel, or press [P3].



View of message scrolling on display:
POT3

 **CAUTION: Never switch off the appliance by disconnecting the power plug.**
This may adversely affect the structural integrity of the appliance and cause failures by the following lighting.

3.3.4 Setting ambient temperature

To modify the set ambient temperature just act on button P1. The display will show the set ambient temperature (temperature SET). By then acting on the buttons [P1] (reduce) and [P2] (increase), you can modify its value. After around 5 seconds the value is memorized and the display returns to normal viewing, or to exit press button [P3].



View of message scrolling on display:
22.5c

When the ambient temperature has reached the set value, the power of the appliance goes automatically to the minimum value. In these conditions the display shows the message [Modulat-]. If the ambient temperature drops below the set value, the appliance returns to "Work" mode and to the power previously set (Set power).



View of message scrolling on display:
MODULAT-

MANUAL MODE:

If the ambient temperature is set above 40°C the wording [man] appears on the display and the appliance goes into manual mode, keeping the set operating power fixed without going to the minimum, whatever ambient temperature is reached.

THERMOSTAT MODE:

If the ambient temperature is set below 6°C the wording [t- e] appears on the display and the appliance goes into thermostat mode; this mode allows the appliance to switch on and off by using a thermostat or an external switch connected to the appropriate terminal on the electronic card of the appliance (see section 5.2).

STAND BY:

Enabled from the menu, the stand-by function switches off the appliance if, for more than 60 seconds, the ambient temperature is above the set temperature of 3°C. The wording [Go-Stby] appears on the display followed by the minutes remaining to switching off; after this, the wording [Wait Cooling] appears on the display. In this case the appliance stops the screw auger, the heat exchanger fan and the smoke exhauster remain on until the appliance has cooled and the ON\OFF led flashes.

When the appliance has cooled down it goes into stand-by mode and the wording [Stop Eco Temp Good] scrolls. If the ambient temperature drops below the set temperature of -1°C, the appliance switches on again.



View of message scrolling on display:
GO-STBY



View of message scrolling on display:
WAIT COOLING



View of message scrolling on display:
STOP ECO TEMP GOOD

 **CAUTION: Never switch off the appliance by disconnecting the power plug. This may adversely affect the structural integrity of the appliance and cause failures by the following lighting.**

3.3.5 Menù

To access the menu press the button [P1] for a prolonged period of time; the wording [M1 set clock] scrolls on the display. The menu is divided into various sub-menu items and levels that allow access to the appliance settings and programming.

To scroll the menu press the buttons [P1] or [P2].

To confirm a required choice from the menu press button [P3].

Menu M1 - SET CLOCK:

Set the current date and time. To enter the menu press the button [P3]- Select the required day of the week by pressing [P1] or [P2] and confirm by pressing button [P3]. This is followed by setting of the hour, minutes, day of the month, the month and the year by acting on the buttons [P1] or [P2] and confirm by pressing button [P3].



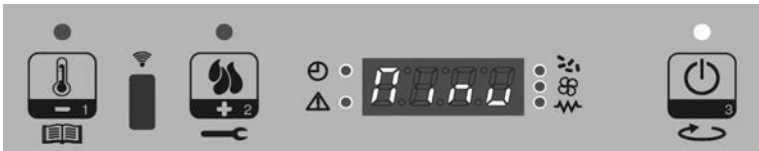
View of message scrolling on display:
M1



View of message scrolling on display:
MOND (TUES WEDN THUR FRID SATU SUND)



View of message scrolling on display:
HOURS CLOCK



View of message scrolling on display:
MINUTES CLOCK



View of message scrolling on display:
DAY CLOCK

Menu M2 - SET CHRONO:

This allows all the programmable thermostat functions to be set. To enter the menu press the button [P3] and subsequently press [P1] or [P2] to select the sub-menu required. Confirm with the button [P3].

Sub-menu M2 - 1 ENABLE CHRONO:

This allows the programmable thermostat to be enabled and disabled; press [P1] "ON" to enable and [P2] "OFF" to disable and confirm with button [P3]. Enabling of the programmable thermostat is confirmed when the chrono led is on.



View of message scrolling on display:
CHRONO ENABLE

Sub-menu M2 - 2 PROGRAM DAY:

Confirm the menu choice with button [P3].

DAILY CHRONO:

This allows the daily program of the programmable thermostat to be enabled and modified; press [P1] "ON" to enable or [P2] "OFF" to disable, confirm and go on to the following page with the button [P3].

The appliance has 2 daily programs that allow it to be switched on twice and switched off twice per day.



View of message scrolling on display:
CHRONO DAILY

- **Start 1 day OFF**

To set the time of the first switch-on (start 1) of the appliance press [P1] or [P2]; to ignore the first switch-on set the time to "OFF", confirm and go on to the next page with the button [P3].

- **Stop 1 day OFF**

To set the time of the first switch-off (stop 1) of the appliance press [P1] or [P2]; to ignore the first switch-off set the time to "OFF", confirm and go on to the next page with the button [P3].

- **Start 2 day OFF**

To set the time of the second switch-on (start 2) of the appliance press [P1] or [P2]; to ignore the second switch-on set the time to "OFF", confirm and go on to the next page with the button [P3].

- **Stop 2 day OFF**

To set the time of the second switch-off (stop 2) of the appliance press [P1] or [P2]; to ignore the first switch-off set the time to "OFF", confirm and go on to the next page with the button [P3].

Sub-menu M2 - WEEKLY PROGRAM:

WEEKLY CHRONO:

This allows the weekly program of the programmable thermostat to be enabled and modified; press [P1] to enable "ON" or [P2] to disable "OFF", confirm and go on to the next page with the button [P3]. The appliance has 4 weekly programs that allow it to be switched on 4 times and switched off 4 times per day.

Each program offers 9 options in rotation for setting/enabling, according to the following table.

program 1	program 2	program 3	program 4
Start prog 1 OFF	Start prog 2 OFF	Start prog 3 OFF	Start prog 4 OFF
Stop prog 1 OFF	Stop prog 2 OFF	Stop prog 3 OFF	Stop prog 4 OFF
Monday prog 1 OFF	Monday prog 2 OFF	Monday prog 3 OFF	Monday prog 4 OFF
Tuesday prog 1 OFF	Tuesday prog 2 OFF	Tuesday prog 3 OFF	Tuesday prog 4 OFF
Wednesday prog 1 OFF	Wednesday prog 2 OFF	Wednesday prog 3 OFF	Wednesday prog 4 OFF
Thursday prog 1 OFF	Thursday prog 2 OFF	Thursday prog 3 OFF	Thursday prog 4 OFF
Friday prog 1 OFF	Friday prog 2 OFF	Friday prog 3 OFF	Friday prog 4 OFF
Saturday prog 1 OFF	Saturday prog 2 OFF	Saturday prog 3 OFF	Saturday prog 4 OFF
Sunday prog 1 OFF	Sunday prog 2 OFF	Sunday prog 3 OFF	Sunday prog 4 OFF
<i>continues program 2</i>	<i>continues program 3</i>	<i>continues program 4</i>	<i>continues program 1</i>

- **Start program 1 / 2 / 3 / 4 OFF**

To set the time of the first/second/third/fourth switch-on (start prog 1/2/3/4) of the appliance press [P1] or [P2]; to ignore the first/second/third/fourth switch-on set the time to "OFF", confirm and go on to the next page with the button [P3].

- **Stop program 1 / 2 / 3 / 4 OFF**

To set the time of the first/second/third/fourth switch-off (start prog 1/2/3/4) of the appliance press [P1] or [P2]; to ignore the first/second/third/fourth switch-off set the time to "OFF", confirm and go on to the next page with the button [P3].

- **Monday prog 1/2/3/4 OFF**

To enable this program on Monday press [P1] "ON"; to disable it press [P2] "OFF", confirm and go on to the next page with the button [P3].

- **Tuesday prog 1/2/3/4 OFF**

To enable this program on Tuesday press [P1] "ON"; to disable it press [P2] "OFF", confirm and go on to the next page with the button [P3].

- **Wednesday prog 1/2/3/4 OFF**

To enable this program on Wednesday press [P1] "ON"; to disable it press [P2] "OFF", confirm and go on to the next page with the button [P3].

- **Thursday prog 1/2/3/4 OFF**

To enable this program on Thursday press [P1] "ON"; to disable it press [P2] "OFF", confirm and go on to the next page with the button [P3].

- **Friday prog 1/2/3/4 OFF**

To enable this program on Friday press [P1] "ON"; to disable it press [P2] "OFF", confirm and go on to the next page with the button [P3].

- **Saturday prog 1/2/3/4 OFF**

To enable this program on Saturday press [P1] "ON"; to disable it press [P2] "OFF", confirm and go on to the next page with the button [P3].

- **Sunday prog 1/2/3/4 OFF**

To enable this program on Sunday press [P1] "ON"; to disable it press [P2] "OFF", confirm and go on to the next page with the button [P3].

Sub-menu M2 - 4 WEEKEND PROGRAM:

Weekend chrono OFF

This allows the weekend program (Saturday and Sunday) of the programmable thermostat to be enabled and modified; press [P1] to enable "ON" or [P2] to disable "OFF", confirm and go on to the following page with the button [P3]. The appliance has 2 programs for the weekend, allowing 2 switch-ons and 2 switch-offs per day.

- **Start 1 weekend OFF**

To set the time of the first switch-on (start 1) of the appliance press [P1] or [P2]; to ignore the first switch-on set the time to "OFF", confirm and go on to the next page with the button [P3].

- **Stop 1 weekend OFF**

To set the time of the first switch-off (stop 1) of the appliance press [P1] or [P2]; to ignore the first switch-off set the time to "OFF", confirm and go on to the next page with the button [P3].

- **Start 2 weekend OFF**

To set the time of the second switch-on (start 2) of the appliance press [P1] or [P2]; to ignore the second switch-on set the time to "OFF", confirm and go on to the next page with the button [P3].

- **Stop 2 weekend OFF**

To set the time of the second switch-off (stop 2) of the appliance press [P1] or [P2]; to ignore the first switch-off set the time to "OFF", confirm and go on to the next page with the button [P3].

Sub-menu M2 - 5 EXIT:

Allows you to exit the menu.

MENU M3 - LANGUAGE:

Allows you to choose the language from those available; scroll through the languages with the buttons [P1] or [P2], confirm and go on to the next page with the button [P3].



View of message scrolling on display:
LANGUAGE

Menu M4 - STAND BY:

Allows the Stand-by function to be enabled; this switches off the appliance if, for more than 60 seconds, the ambient temperature is above the set temperature of 3°C. To enable or disable act on buttons [P1] or [P2] to confirm and go on to the next page with the button [P3].



View of message scrolling on display:
STAND-BY

Menu M5 - BUZZER:

Allows the sound-signal buzzer to be enabled or disabled during alarm statuses. To enable or disable act on buttons [P1] or [P2]; to confirm, press [P3].



View of message scrolling on display:
BUZZER

Menu M6 - FIRST LOAD:

This function is available only when the appliance is switched OFF; it allows loading of the screw auger at first start up when the fuel hopper is empty. After selecting the menu M6, the wording [Press More] scrolls on the display. Then press [P2]. The smoke exhauster switches on at maximum speed, the screw auger switches on (screw auger led on) and they remain like this until the time shown on the display has elapsed, or until the button [P3] is pressed.



View of message scrolling on display:
PRESS MORE



View of message scrolling on display:
90''

Menu M7 - STOVE STATUS:

This function allows you to view the status of some variables during the operation of the stove in work mode. The table below shows an example of the statuses viewed on the display and their meanings.



View of message scrolling on display:
STATUS STOVE

Status viewed	Meaning
3,1"	Pellet loading screw auger status
52'	Time out
Toff	Thermostat status
106°	Smoke temperature
1490	Smoke exhaust speed

Menu M8 - PELLETT TYPE:

This function provides the facility to view and edit the combustion parameters associated with the pellet load.



ATTENTION: Loading the pellet through the feeding system on the appliance is influenced by the characteristics of the pellet itself. Introducing different supplies of pellets you can find loading differences that can reach 20/25%, which translate into variations in thermal power introduced (see paragraph 1.4).



View of message scrolling on display:
PR 54 LOADING PELLETT 00

At the first ignition check for at least 6 continuous hours that the combustion meets the following requirements:

- there must not be any tendency to fuel build up in the burn pot given to an excess of fuel or lack of draught.
- There must not be any tendency to flame extinguishing for lack of fuel or for excessive draught.

Since the proper functioning of the appliance depends on the environmental conditions and especially on the draught, on the connection to the chimney flue and on the type of pellet used, should the user notice one of the above tendencies, after having checked that the stove is perfectly cleaned (see paragraphs 4.1.3, 4.2.1 and eventually 4.2.2), a different set of parameters among those available and set by the factory could be necessary.

There are 19 parameters organised according to the pellet density and specific gravity.

Choose the most appropriate parameter to guarantee good combustion, according to the following indications:

- If the pellets tend to build up in the burn pot, choose a parameter lower than the current one, monitor combustion for at least one hour, and, if necessary, reduce the parameter setting until the combustion requirements illustrated above are met.
- If there is a tendency for the flame to extinguish, choose a higher parameter than the current one, monitor combustion for at least one hour, and, if necessary, increase the parameter setting until the combustion requirements illustrated above are met.

Use buttons 1 and 2 to adjust the pellet load percentage from a maximum value of + 9 to a minimum of - 9. Each change alters the pellet load of all 5 power settings of the unit. (Parameter factory setting = 0).

 **ATTENTION: it is recommended to carry out the combustion calibration correctly because in case of flame extinguishment, unburnt pellet could distillate in the burn pot and lead to its explosion in the combustion chamber.**

Summary parameter table

Parameters to be selected when there is a tendency to
FLAME EXTINGUISHING



Parameters to be selected when there is a tendency to
PELLET BUILD UP

Menu M9 - TECHNICIAN CALIBRATIONS:

CAUTION: Access to this menu, allowed by inserting an access key, is for installers or expert personnel, since the parameters shown, if modified, may render the product unsuitable for application in use.



View of message scrolling on display:
KEY ACCESS

Menu MA - EXIT:

Allows you to exit the menu.



View of message scrolling on display:
ESCAPE

3.3.6 Alarm warnings

CAUTION: Always remove any pellets that may still be in the burn pot before restarting the appliance, when an alarm causes the turning off of the appliance.

If an operating fault should occur, the appliance intervenes and signals that the irregularity has happened by switching on the alarms led (alarm led on) and emitting sound signals.

i Any alarm situation causes the appliance to switch off immediately.

The alarm status is reached after 30 seconds, except for the POWER FAILURE alarm, and can be zeroed by prolonged pressing of button [P3]. Whenever an alarm is zeroed an appliance switch-off phase is started, as a safety measure. In the alarm phase the alarms led is always on and, if enabled, the buzzer sounds intermittently. If the alarm is not reset, the appliance starts the switch-off phase anyway, while still displaying the alarm message on the display.

WARNING: After each alarm episode it is always necessary to wait for the appliance to cool down completely, after which you can proceed to disconnecting it by positioning the switch on the back to "OFF" and, if maintenance is necessary, unplugging it from the mains. After carrying out the instructions for the respective solutions, you can proceed to start-up, positioning the switch on the back to "ON" and after waiting for the appliance to return to the "OFF" status.

An alarm situation can be caused by a breakdown on the appliance; in this case, if the appliance does not start up correctly after the respective instructions for the solutions have been carried out, the services of a qualified technician are necessary to reactivate the appliance and to check the causes that triggered the alarm.

POWER FAILURE ALARM:

While the appliance is working, there may be an electric power failure. On restarting, if the power failure period is less than 30 seconds, the appliance starts up again in WORK mode; otherwise the alarm intervenes.

The relative message scrolls on the display and the appliance goes into alarm status, starting the switch-off phase.



View of message scrolling on display:
AL 1 ALAR AL 1 BLACK-OUT

SMOKE TEMPERATURE SENSOR ALARM:

This appears when the smoke sensor is faulty. The appliance goes into alarm status, and the alarms led comes on.

The relative message scrolls on the display and the appliance goes into alarm status, starting the switch-off phase.

*Solution: The services of a qualified technician will be required to first verify what set off the alarm, and then to correct the problem.



View of message scrolling on display:
AL 2 ALAR AL 2 PROBE EXHAUST

SMOKE OVERTEMPERATURE ALARM:

Indicates that the smoke temperature is too high because of:

- Lack of ordinary cleaning maintenance of the appliance.
- Incorrect combustion calibration.

The relative message scrolls on the display and the appliance goes into alarm status, starting the switch-off phase.

Solution: In the first case, routine maintenance must be carried out, and in the second case, the services of a qualified technician are necessary to modify the combustion parameters.



View of message scrolling on display:
AL 3 ALAR AL 3 HOT EXHAUST

SMOKE ENCODER FAULT ALARM:

This appears if there is a fault on the smoke exhauster.

The relative message scrolls on the display and the appliance goes into alarm status, starting the switch-off phase.



View of message scrolling on display:
AL 4 ALAR AL 4 FAN FAILURE

SWITCH-ON FAILURE ALARM:

This appears when the switch-on phase fails. This happens if, when 25 minutes has elapsed, the temperature of the smoke is not above 55°C.

The relative message scrolls on the display and the appliance goes into alarm status, starting the switch-off phase.

Solution: Check the cleaning of the burn pot and the part underneath (see section 4.1.3).

All the fuel present in the burn pot must always be removed.



View of message scrolling on display:
AL 5 ALAR AL 5 NO LIGHTING

PELLET ABSENT ALARM:

This appears when, in the work phase, the temperature of the smoke drops below 55°C.

The relative message scrolls on the display and the appliance goes into alarm status, starting the switch-off phase.

Solution: If the fuel shows a tendency to be extinguished, a qualified technician must be contacted to modify the combustion parameters.

All the fuel present in the burn pot must always be removed.



View of message scrolling on display:
AL 6 ALAR AL 6 NO PELLETT

THERMAL SAFETY OVERTEMPERATURE ALARM:

This appears when the general safety thermostat detects a temperature above the trigger threshold. The thermostat intervenes and switches off the screw auger, since it is placed in series to its feed and the appliance signals the alarm status (alarm led on). The relative message scrolls on the display and the appliance goes into alarm status, starting the switch-off phase.

Once the switch-off phase is terminated, the following operations are necessary:

- Put the switch in the back of the appliance in the OFF position.

When the appliance is fully cooled, the thermostat automatically reactivates.

Solution: If the fault is temporary, the unit resumes normal operation when restarted; if the fault continues, the services of a qualified technician will be required to first verify what set off the alarm, and then to correct the problem.



View of message scrolling on display:
AL 7 ALAR AL 7 SAFETY THERMAL

DEPRESSION ABSENT ALARM:

This appears when the pressure controller outside component detects an overpressure in the smoke exhauster flue. The pressure controller intervenes and switches off the screw auger, as they are electrically connected in series, and the appliance signals the alarm status.

The relative message scrolls on the display and the appliance goes into alarm status, starting the switch-off phase.

Solution: If the overpressure is temporary, the appliance starts working properly once this overpressure disappears; if it persists, make sure the exhaust flue is free from any obstructions.



View of message scrolling on display:
AL 8 ALAR AL 8 FAILURE DEPRESS

3.3.7 SERVICE signal

To ensure constant and efficient operation of the appliance, you must carry out the routine maintenance work stated, which varies according to the hours of operation and the quantity of fuel burnt. When the appliance reaches 2000 hours of operation, the message SERVICE appears on the control panel, meaning that it has to be serviced by a qualified technician.



View of message scrolling (each minute for 10 seconds) on display:
SERVICE

4 CARE AND MAINTENANCE

4.1 Recurrent maintenance

Do not forget that performing the following recurrent maintenance will ensure your appliance efficiency and proper operation for a long time.



WARNING: All cleaning of the various parts must be done when the appliance is completely cold and disconnected from the electrical power source (electrical plug disconnected).

Cleaning and maintenance operations to be carried out by the user cannot be done by unattended children.

4.1.1 Cleaning of display screen and exterior cladding elements

Clean with a dry, soft cloth; do not use any detergent or cleaning products.

4.1.2 Cleaning of ceramic glass

To perform if needed.



The quality and type of fuel as well as the way of use can determine the frequency of cleaning the ceramic glass.

1. For a perfect cleaning of the ceramic glass we suggest to use the
2. MANUFACTURER's specific cleaner "Puliglass", spraying a small quantity on a cloth and rubbing it on the dirt.



Never spray the ceramic glass with "Puliglass" or any other cleaner.



The use of any abrasive sponges or similar for cleaning the ceramic glass panel is FORBIDDEN; failure to do so may result in permanent damage.



IMPORTANT: Ensure that you lock the door correctly with the equipped tool after opening it sideways to perform the ceramic glass cleaning.



4.1.3 Recurrent maintenance of type A

To perform at least twice a week or daily, depending on the operational conditions.

i By operating your appliance over a period of time you will find out how frequently it needs to be inspected and cleaned.

! **WARNING: All cleaning of the various parts must be done when the appliance is completely cold and disconnected from the electrical power source (electrical plug disconnected).**

The frequency of maintenance performed on your appliance is directly proportional to the operation hours and the performance requested.

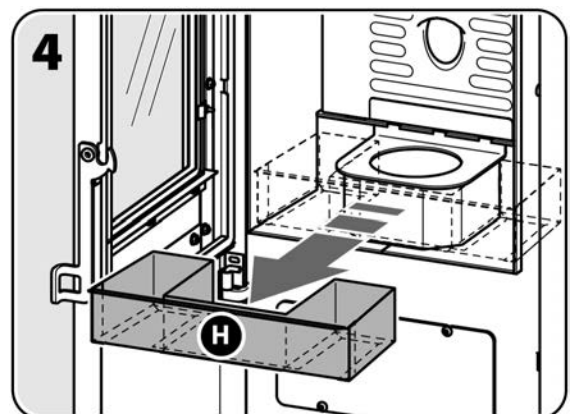
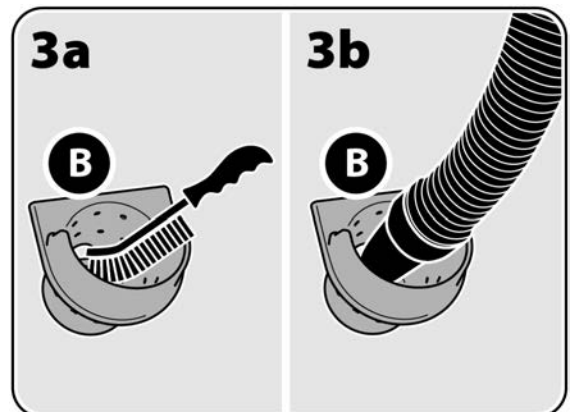
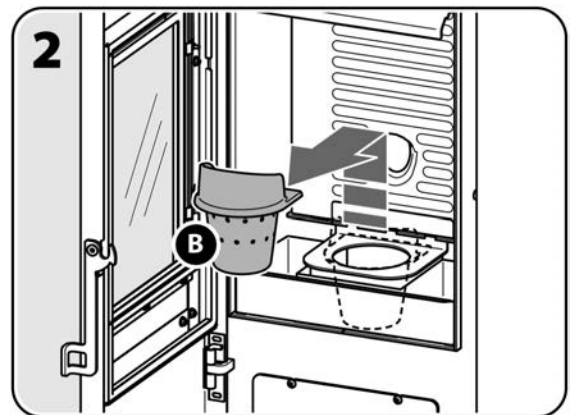
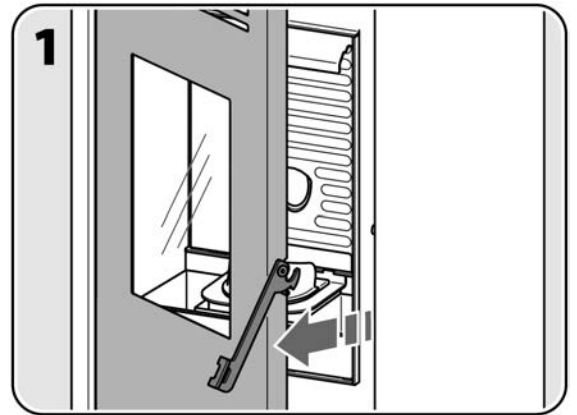
! **CAUTION: For safety reasons, before cleaning the appliance make sure the ashes have cooled completely and then remove them with a vacuum cleaner.**

The recurrent maintenance works of type A are as follows:

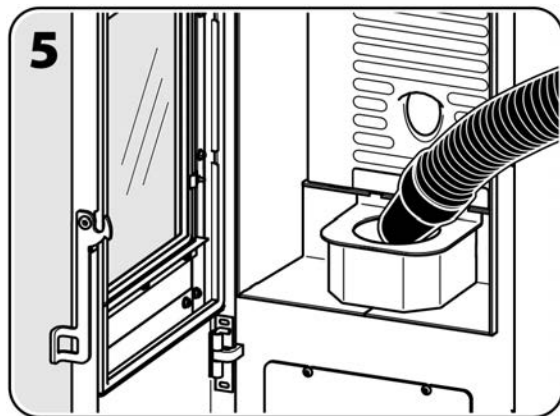
1. Open the appliance door slowly, so as to avoid the displacement of ashes accumulated.
2. Remove the burn pot [B].

3a. From burn pot [B], remove any ashes and ash material that may accumulate and clog the air admission openings by means of a vacuum cleaner and a wire brush or any other tool sufficiently abrasive.

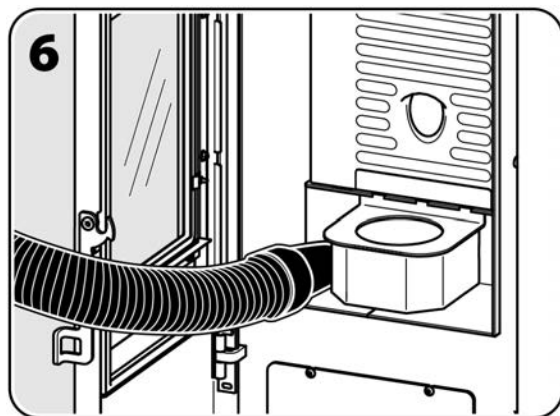
4. Lift the firebox ash collecting drawer [H] and take it completely out to empty it.



5. Remove any ashes that may accumulate inside the firebox and the burn pot ash-tray by means of a powerful vacuum cleaner (1000÷1300 W).



6. With a vacuum cleaner remove the ashes from the area underneath the ash collecting drawer.

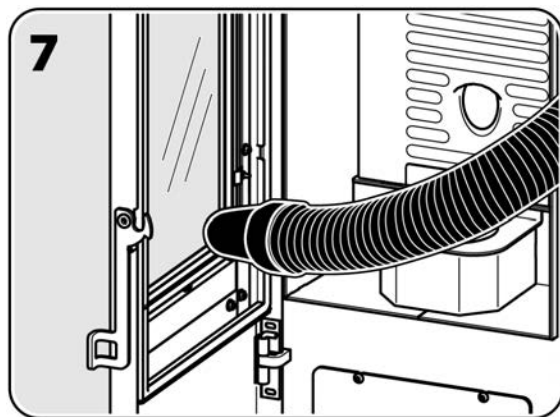


7. Vacuum clean all the ashes collected on the door.

When the cleaning is completed, install all the parts removed following the inversed order.



WARNING: Replace the burner correctly so as to avoid failures in lighting with potential overpressures in the combustion chamber and the accumulation of pellet.



4.2 Routine maintenance

Do not forget that performing the following routine maintenance (type B and C) will ensure your appliance efficiency and proper operation for a long time. The same care and maintenance should be provided to the smoke exhaust system so as not to invalidate the work done on the appliance.

! **IMPORTANT:** after approximately 150 h of use or after 200 kg of fuel consumed, it is important to check and clean the smoke exhaust through the corresponding inspection doors or, if they are not present, dismantle the removable components.

4.2.1 Routine maintenance of type B

To perform in addition to recurrent maintenance of type A every 350÷400 hours or 500÷600 kg of pellets.

! **CAUTION:** The use of a pellet which produces lots of combustion residues can make the appliance get dirty more rapidly, thus causing frequent cases of pellet buildup. In such case it is absolutely necessary to reduce the time interval between routine maintenances of type B to no more than 250÷300 hours of use.

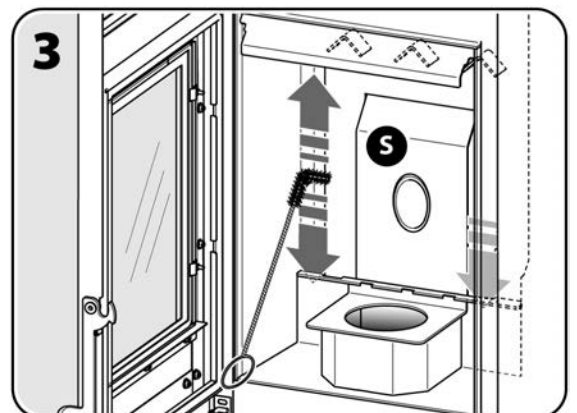
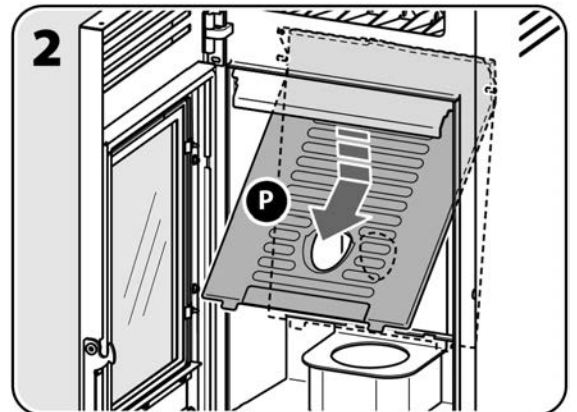
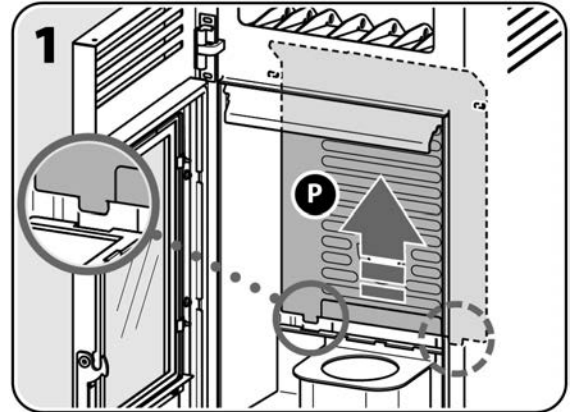
! **WARNING:** All cleaning of the various parts must be done when the appliance is completely cold and disconnected from the electrical power source (electrical plug disconnected).

! **CAUTION:** For safety reasons, before cleaning the appliance make sure the ashes have cooled completely and then remove them with a vacuum cleaner.

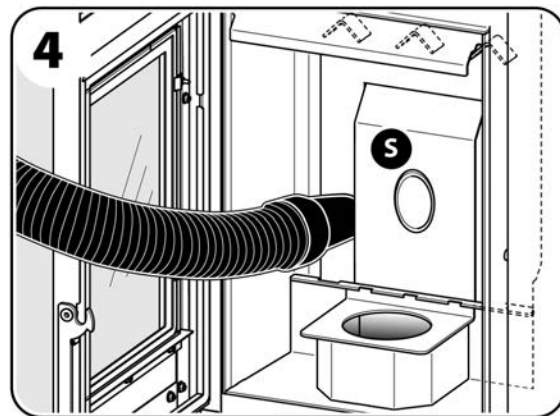
The routine maintenance works of type B are as follows:

1. Take hold of the cast iron plate [P] with both hands, lift it, tilt it slightly
2. and remove it, being careful not to bump against the device frame.

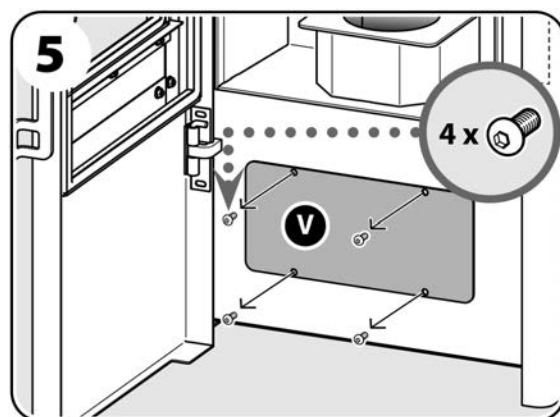
3. Clean all the back of the heat exchanger with vanes [S] with the equipped 90° metal brush, also clean inside the two holes in the lower part (see arrows in the pictures).



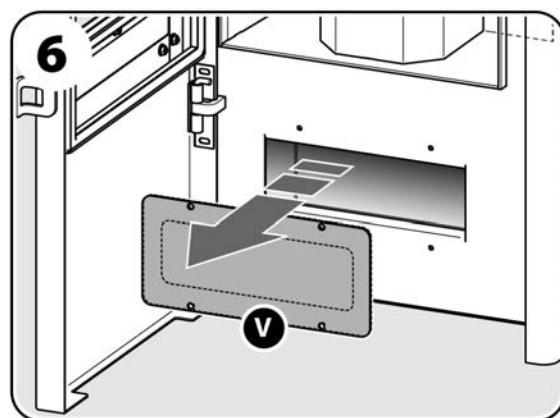
4. Remove any material scraped off from the heat exchanger with vanes [S] by means of a vacuum cleaner.



5. Unscrew and remove the 4 screws holding the cover of the heat exchanger dust collecting compartment [V].

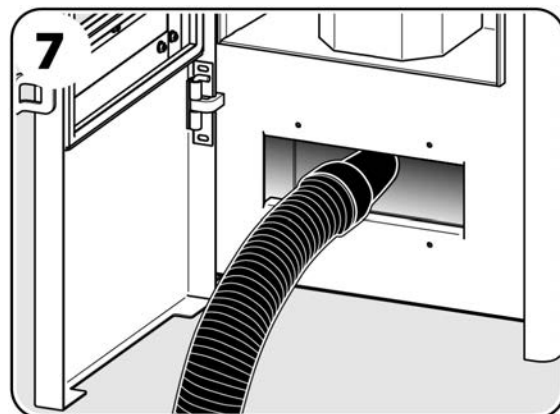


6. Remove the heat exchanger dust collecting compartment lid [V] taking care to maintain the seal.



7. Remove the soot with a shovel, then suck the soot and ash left inside the heat exchanger dust collecting compartment by means of a vacuum cleaner.

When the cleaning is completed, install all the parts removed following the inversed order.



4.2.2 Routine maintenance of type C

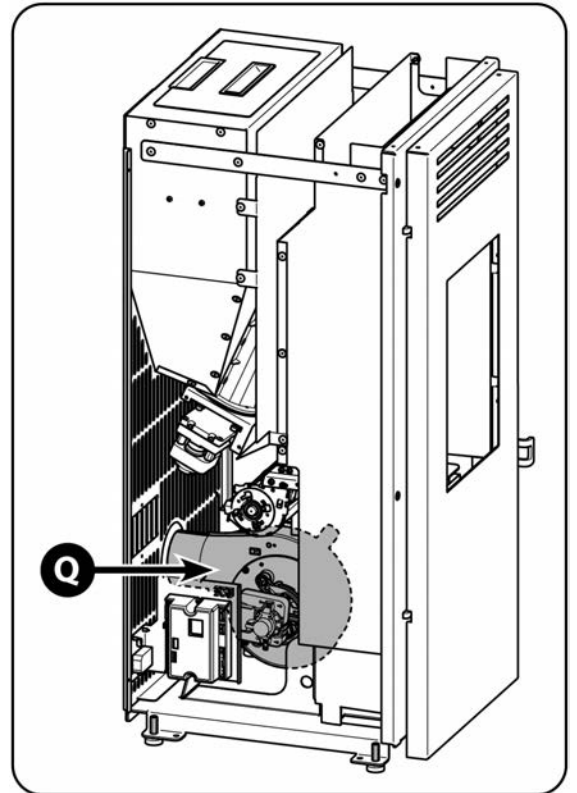
To be done at the end of the heating season or when the appliance reaches 2000 hours of operation in addition to the recurrent maintenance work type A and to the routine maintenance work type B.

i The routine maintenance of type C shall be performed in order to clean the smoke exhauster [Q] and its housing and to facilitate the cleaning of the lower part of the heat exchanger. This maintenance work is to be completed on both sides of the appliance after removing the external lining.

! **CAUTION:** The following operation should be performed by a qualified service technician who will assess the need to remove the smoke extractor to clean it.

! **WARNING:** All cleaning of the various parts must be done when the appliance is completely cold and disconnected from the electrical power source (electrical plug disconnected).

! **CAUTION:** For safety reasons, before cleaning the appliance make sure the ashes have cooled completely and then remove them with a vacuum cleaner.



4.2.3 Gasket control

At the end of the heating season, during the routine maintenance of type C, have the qualified technician check the integrity of the gasket sealing the door and of all the removable parts.

They should be replaced once every one or two or three years, depending on the type of appliance and mostly on the operation duration. In order to ensure an air-tight assembly the gaskets should maintain their characteristics of elasticity; as soon as they harden they need to be replaced.

4.2.4 Cleaning of vertical venting pipes

Even with the best appliances and chimneys the formation of creosote deposits is unavoidable. Therefore it is necessary to clean the chimney and the vertical venting pipes regularly in order to avoid or reduce them.

Cleaning is recommended at least once a year and even more often if the appliance is used daily and fuel with features different from those illustrated in section 1.4 is employed.

We recommend to let the cleaning process being realized by a professional chimney sweeper, ask the address to your dealer.

The sweeper's intervention may represent an effective and economic solution to protect the installation from corrosion and keep it in efficiency to grant those essential safety conditions that allow us to live with more serenity.

i Just before the beginning of the next season, particularly as regards unoccupied houses, we recommend checking the smoke channel and the chimney, in order to be sure that there is no clogging due to insects, birds or small mammals' nests.

4.3 Putting your appliance out of service

When the appliance is not going to be used for a long time, usually at the end of the heating season, beside the routine maintenance procedures we recommend that you operate the appliance until the fuel is finished.



IMPORTANT: Unplug the appliance once you have finished using it for the season.

4.4 Failures/ Causes / Trouble-shooting

There is no power to the appliance:

- The power cord may have been damaged or disconnected from the plug.
- The fuse located inside the electronic control unit could be blown (see section 4.4.1).

The appliance fails to start repeatedly:

- The door gaskets could be in bad condition.
- The combustion chamber may have not been submitted to the required routine maintenance works (see section 4.1.3).
- The ignition resistance or the smoke temperature sensor may be blown (have the service staff check the appliance).

The convection fan does not operate:

- The fan may be blown or blocked (have the service staff check the appliance).

Pellets build up in the burn pot and spill out:

- It may be necessary to modify the combustion parameters for pellet loading (see section 3.3.5 - Menu M8). Any combustion adjustment or calibration work carried out by third-party personnel (technicians or service centres) is not covered by the appliance's warranty.
- The burn grate may be clogged (see section 4.1.3, figure 3).
- The appliance may have not been submitted to the required routine maintenance works (see sections 4.1.3 and 4.2). If the pellet used produces lots of combustion residues, it is absolutely necessary to reduce the time interval between routine maintenances of type B to no more than 250÷300 hours of use.
- The door gaskets could be in bad condition.
- There is insufficient combustion air (if the problem persists even after the appliance cleaning, have the service staff check the appliance).
- The smoke exhauster may not be working correctly (in this case have the service staff check the appliance).
- The fuel may be damp.
- The combustion air inlet may be obstructed.

There is smoke in the room:

- Check to see if the gaskets are in good condition.
- In the same room there could be another appliance working (stove, fireplace, wood cooker, suction hood) or not (open fireplace) whose draught may negatively affect that of your appliance or the reverse.
- The appliance may have not been submitted to the required routine maintenance works (see sections 4.1.3 and 4.2).
- Check to see if the exhaust system (pipe and chimney flue) is air-tight or needs to be cleaned out.
- Make sure that there is a good connection between the appliance and the chimney flue.
- The size of the chimney flue does not comply with the requirements in this manual (see sections 2.3.3 and 2.3.4).
- The first times the appliance is operated, the paint on the metal surfaces releases some smells. Simply aerate the room as necessary.
- Check to see if any impediment (plants, buildings) exceeds the height of the chimney cap thus preventing the smoke discharge.
- The draught in the chimney flue may not be adequate.

4.4.1 Replacement of fuse in service

If you press the switch at the back of the unit to the stand-by position and neither the switch light nor the display screen on the control panel will light up, check the fuse in service and if necessary make use of the replacement fuse.



WARNING: This work can only be done after the appliance has cooled completely and has been disconnected from the electrical power source (electrical plug disconnected).

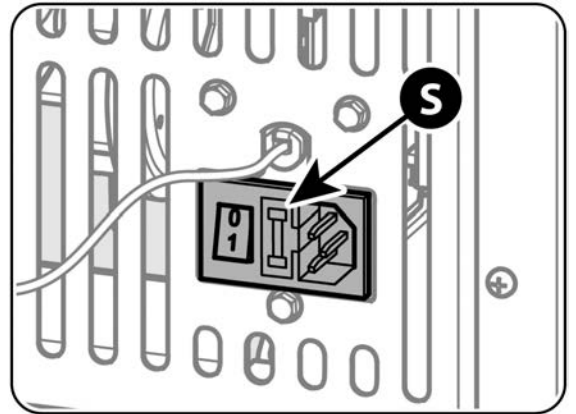
To replace the service fuse, located by the connection to the supply cable, proceed as follows :

- Disconnect the supply cable and carefully take out the drawer with the service fuse [S] inside it (see figure 1).
- Check the integrity of the fuse.
- Replace the fuse, if it is blown, with a new one, fitting it in the reverse sequence.

Then plug in the power cord and press the main on/off switch again.

If the problem persists or the fuse should blow again, contact Customer Service.

Fuse Specifications: "5A T 5x20 (delay-fuse)".



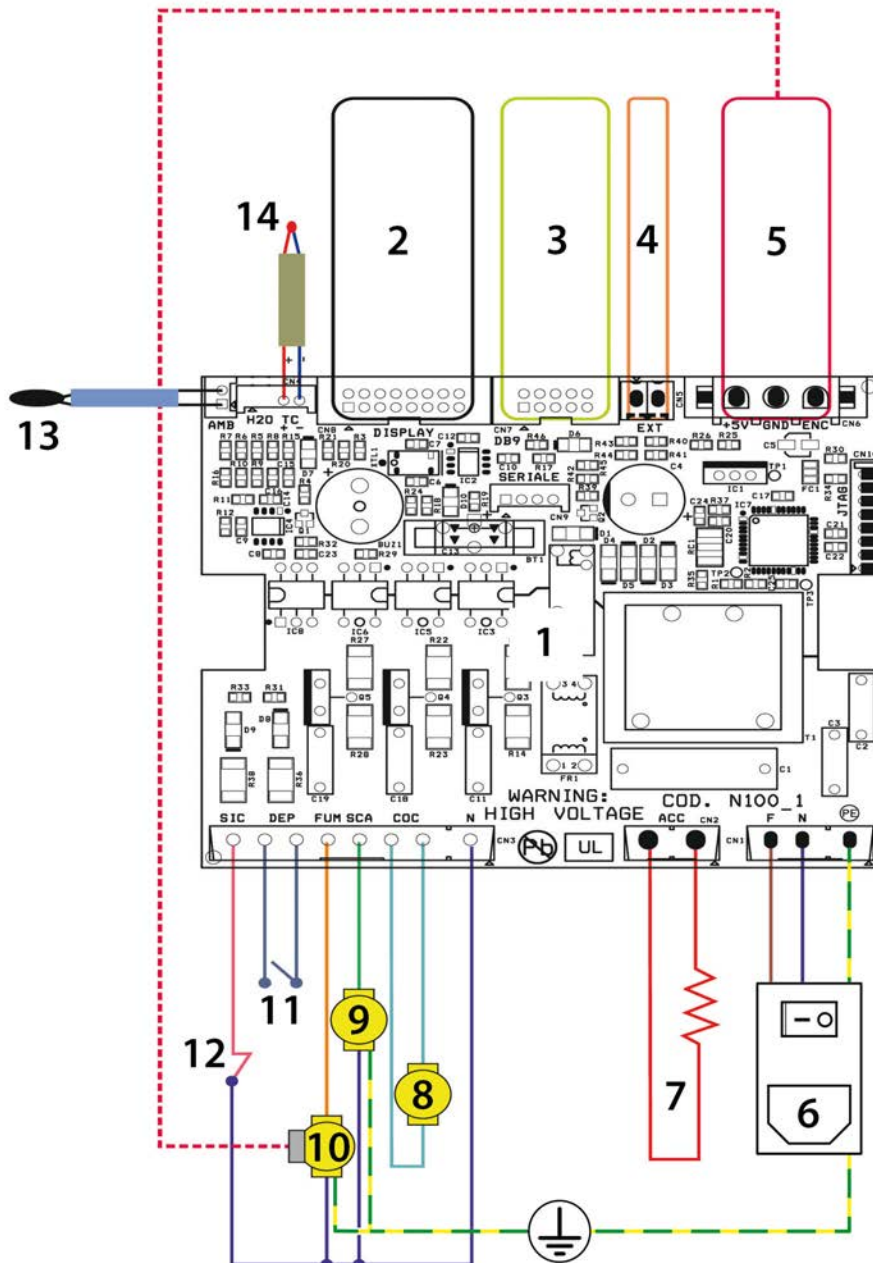
5 FOR THE AUTHORIZED SERVICE TECHNICIAN

5.1 Wiring-diagram



WARNING: Even after being switched off, the appliance is not disconnected from electrical power; therefore, before removing the cladding or the back panel and/or the screws holding the electronic control unit, always be sure to first unplug the power cord or turn off the circuit breaker.

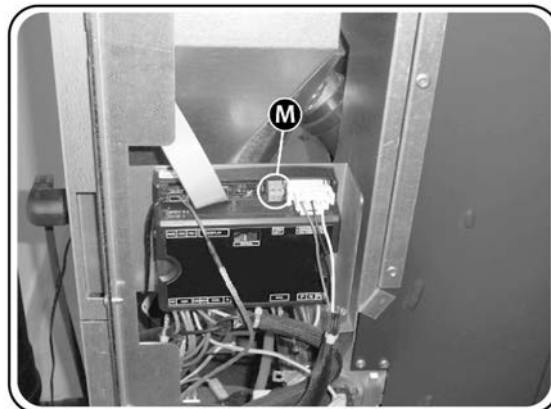
PRACTICAL SCHEME LEGEND



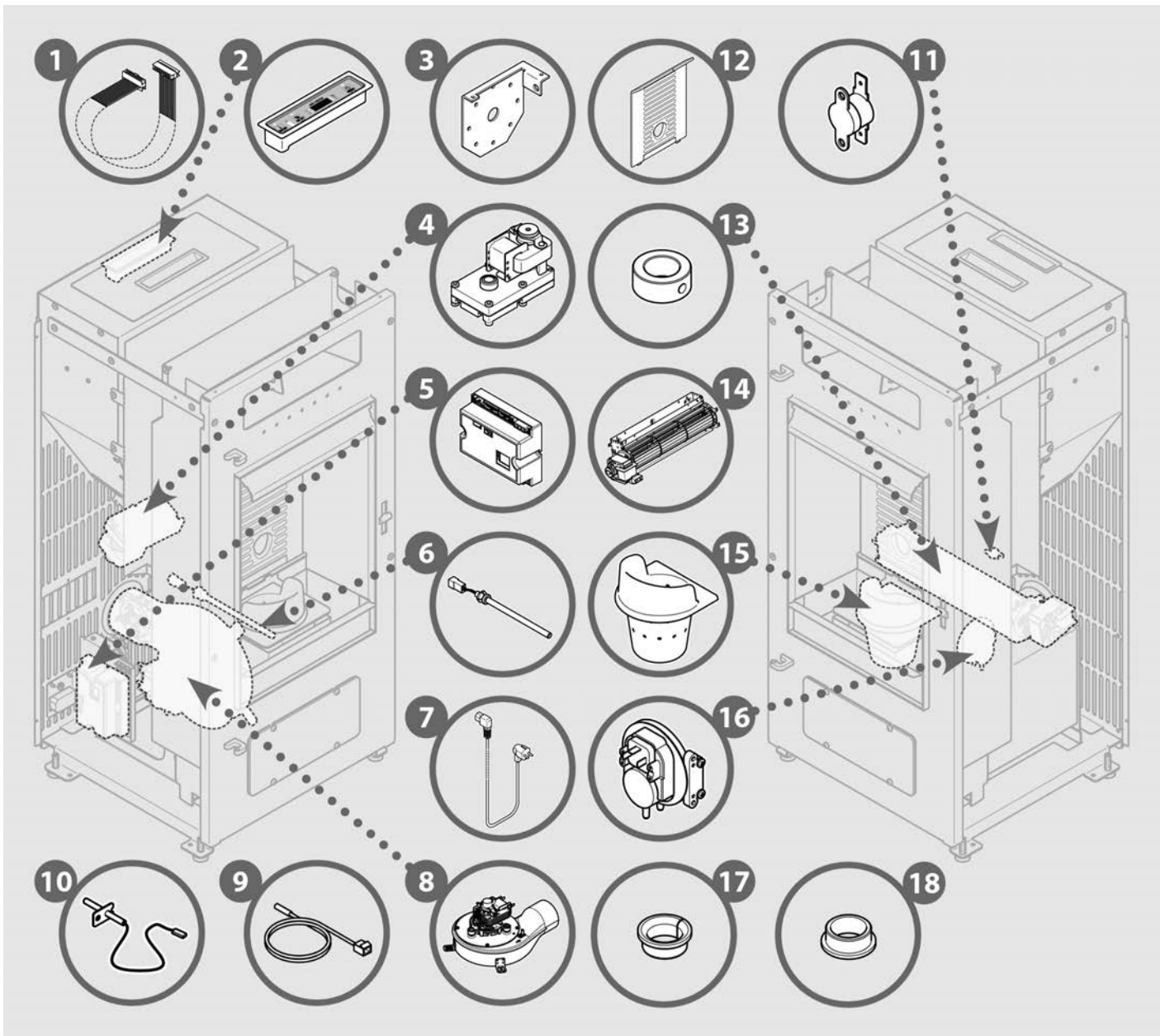
- | | | |
|----------------------------|-----------------------------|-----------------------------|
| 1. Electronic card | 6. Power supply 230 Vac | 11. Pressure controller |
| 2. Control panel | 7. Ignition resistance | 12. Thermostat |
| 3. Serial communication | 8. Screw auger geared motor | 13. Room temperature sensor |
| 4. External thermostat * | 9. Convection fan | 14. Smoke sensor |
| 5. Encoder smoke extractor | 10. Smoke exhauster | * Optional |

5.2 Connection to a thermostat or to a switch

The appliance can be switched on and off by using a clean contact from a thermostat or an external switch connected to the appropriate terminal [M] on the electronic card of the appliance and setting the ambient temperature below 6°C (see section 3.3.4).



5.3 Spare parts list



- | | | | |
|-----|---|-----|---|
| 1. | 1043030600 - Flat cable elect.card/security board | 12. | 1121112601 - Back plate |
| 2. | 10462025001 - Control panel | 13. | 1107671104 - Speed reducer locking ring |
| 3. | 1102672812 - Screw auger flange assembly | 14. | 1040021100 - Convection fan |
| 4. | 1044002600 - Screw auger geared motor | 15. | 1121125601 - Cast iron burn pot |
| 5. | 1041003400 - Neutral electronic card | 16. | 1042200700 - Pressure controller |
| 6. | 1049200300 - Ignition resistance | 17. | 1010009000 - Bearing |
| 7. | 1046100500 - Power connection cable | 18. | 1010009200 - Teflon bearing |
| 8. | 1184046410 - Smoke exhauster | 00. | 1043013800 - Electric wiring 2 |
| 9. | 1042003500 - Room temperature sensor | 00. | 1251114800 - Ceramic glass |
| 10. | 1042004100 - Smoke sensor | 00. | 1090811709 - Smoke box gasket |
| 11. | 1042004400 - Klixon probe | | |

5.4 Servicing record

1	3
2	

1	3
2	

1	3
2	

1	3
2	

1	3
2	

1	3
2	

1. DATE
2. SIGNATURE OF SERVICING STAFF
3. SERVICING DESCRIPTION

- BLANK LEAF -

The Company reserves the right to make any alterations resulting from any technical or commercial reasons it considers appropriate without notice and assumes no responsibility for any possible mistake or inaccuracies in this brochure. The reproduction in whole or in part of the photographs, drawings or texts is forbidden. Infringements will be punished by law. Data and measurements are provided purely as an indication.



Zone Industrielle Lieu-dit « La Gravette »
08350 DONCHERY – Francia
Tel. +33 0324 277171